

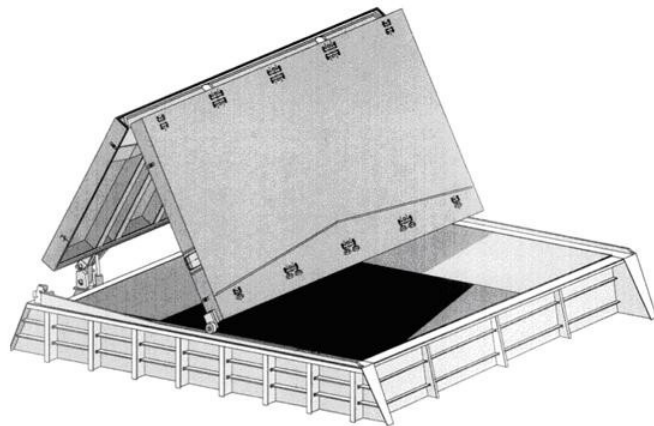


HATCH COVER EXPERTISE SINCE 1993

DEUMARECO

www.deumareco.com

SPARE PARTS CATALOQUE



DEUMARECO Marine Systems GmbH
Nincoper Strasse 184
D-21129 Hamburg, Germany

Phone: +49-40-367 160
Fax: +49-40-367 578
E-mail: deumareco@t-online.de
www.deumareco.com



HATCH COVER EXPERTISE SINCE 1993

DEUMARECO

www.deumareco.com

Index

Rubber Packing

Solid Rubber Packings	4.
Solid Rubber Packings	5.
Solid Rubber Packings	6.
Sponge Rubber Packings Watertight	7.
Filling Strips for Rubber Packings	8.
MARECO "F" Packings Replacing Sponge Rubber Products	9.
Sponge Rubber Packings for Doors, Windows etc	10.
Solid Rubber/ PVC Profiles for Technical Use	11.
Corner- and End Packings	12.
Corner- and End Packings	13.
Rubber Selection	14.
Corner- and End Packings	13.
Rubber Selection... ..	14.

Bearings

Bearings and Sealings.....	15.
----------------------------	-----

Bearing Pads

Composite Bearing Pads	16.
Steel and Bronze Bearing Pads	17.

Wedges

Cross Joint Wedge Assembly 12.00	18.
Cross Joint Wedge Assembly 12.02	19.

Cleats

Quick Acting Cleat Assembly 13.00 , 315mm Rod Length, M22	20.
Quick Acting Cleat Assembly 13.01 , 405mm Rod Length, M22	20.
Heavy Duty Quick Acting Cleat Assembly 13.03 , 440mm Rod Length, M33	20.
Quick Acting Cleat Assembly 13.02 , 180mm Rod Length, M22	21.
Heavy Duty Quick Acting Cleat Assembly 13.04 , 285mm Rod Length, M33	21.
Snap Lock Cleat Assembly	22.
Quick Acting Cleat Assembly, Hook Type	23.
Quick Acting Cleat Assembly, T-Bolt.....	24.
Quick Acting Cleat Assembly, Flag Type	25.
Quick Acting Cleat Assembly, Convex Type	26.
Battening Bolt Assembly	27.
Top Cleat Assemblies.....	28.
T- Bolt Cleats & Eye- Bolt Cleats	29.

Levers

Operating Levers for Cleats	30.
-----------------------------------	-----



HATCH COVER EXPERTISE SINCE 1993

DEUMARECO

www.deumareco.com

Index

Washers

Steel Washer & Rubber Washer selection	31.
--	-----

Single pull hatch cover parts

Eccentric Wheel Assembly 20.00, 200mm Dia	32.
Eccentric Wheel Assembly 20.02, 260mm Dia	32.
Balancing Roller 22.04 / 22.09, Double Link, 2.5 – 4 Tons / > 4 tons	32.
Balancing Roller 22.05 / 22.10, Single Link, 2.5 – 4 Tons / > 4 tons.....	32.
Long Shackle Assembly for Covers 40.05, 2.5 – 4 Tons Weight	32.
Long Shackle Assembly for Covers 40.06, 2.5 – 4 Tons Weight	32.
Long Shackle Assembly for Cover 40.07, > 4 Tons	32.
Long Shackle Assembly for Cover 40.08, > 4 Tons.....	32.
Balancing Roller 22.09 Double Link > 4 Tons	32.
Balancing Roller 22.10, Single Link, > 4 Tons	32.

Hydraulics

Hydraulic Hoses	33.
Hydraulic Components and Motors.....	34.
Hydraulic Cylinders and Pipes.....	35.

Cylinders

Marine Hydraulic Cylinders	36.
----------------------------------	-----

Miscellaneous

Drain valves.....	37.
Problems with Vacu/ Pneumatic Seals?	38.
Hatch Cover Driving/ Towing Chains, Connectors and Chain Wheels.....	39.
Wire Ropes & Accessories	40.
Bolts, Handles and Nuts	41.
Manhole Seals	41.

Glues and Adhesives

Glues	42.
Fire Secure Mastic Adhesives	43.

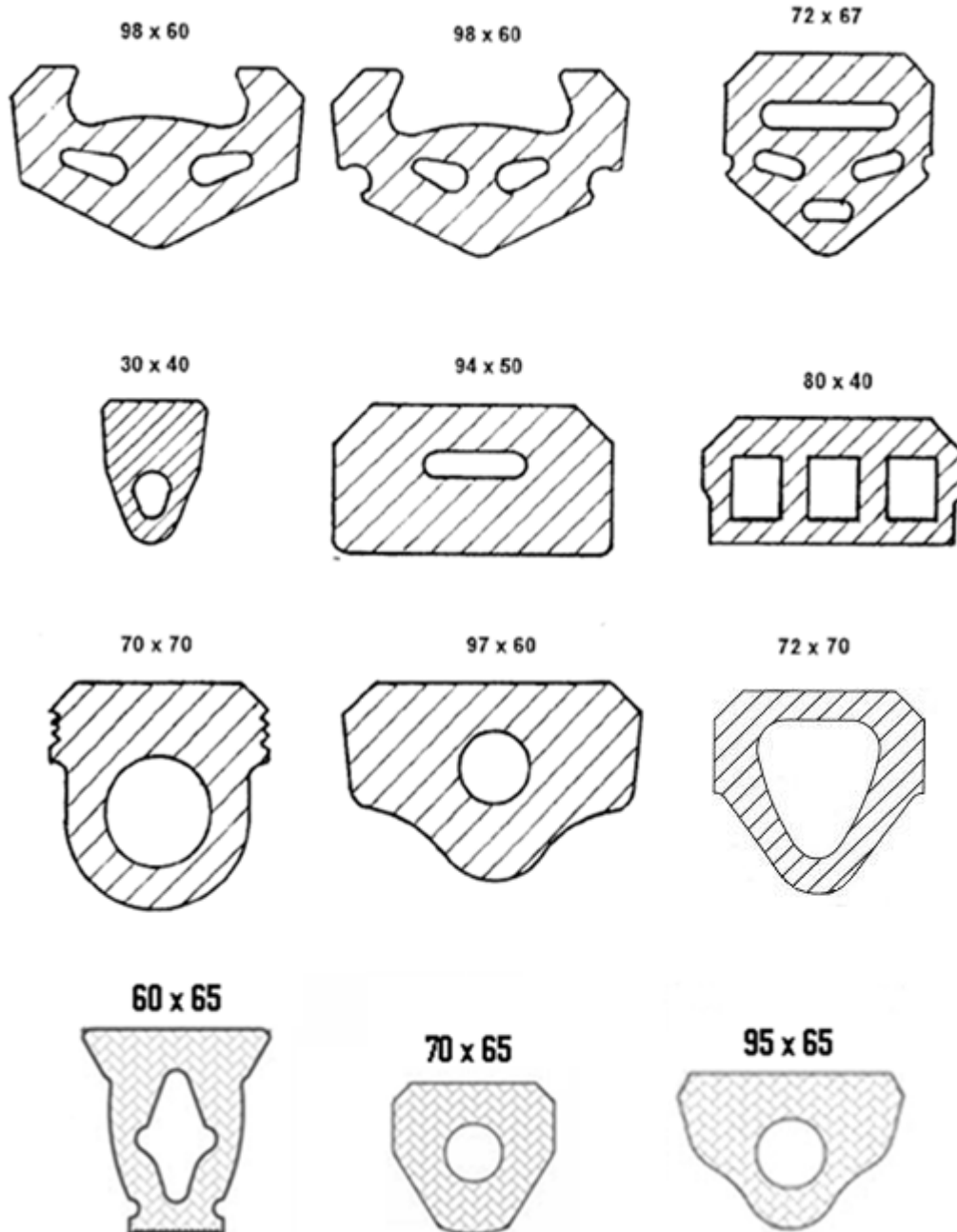


HATCH COVER EXPERTISE SINCE 1993

DEUMARECO

www.deumareco.com

RUBBER PROFILES — SOLID PROFILES



Deumareco Marine Systems GmbH
Nincoper Strasse 184
D-21129 Hamburg-Neuenfelde
Germany

Phone: +49-40-367 160
Fax: +49-40-367 578
E-mail: deumareco@t-online.de
Web: www.deumareco.com

St.-Nr.: 47/714/00715
VAT-No.: DE 811 476 598
Commercial Reg.: Hamburg HRB 52818
Managing Director: Jussi Pekka Järvinen

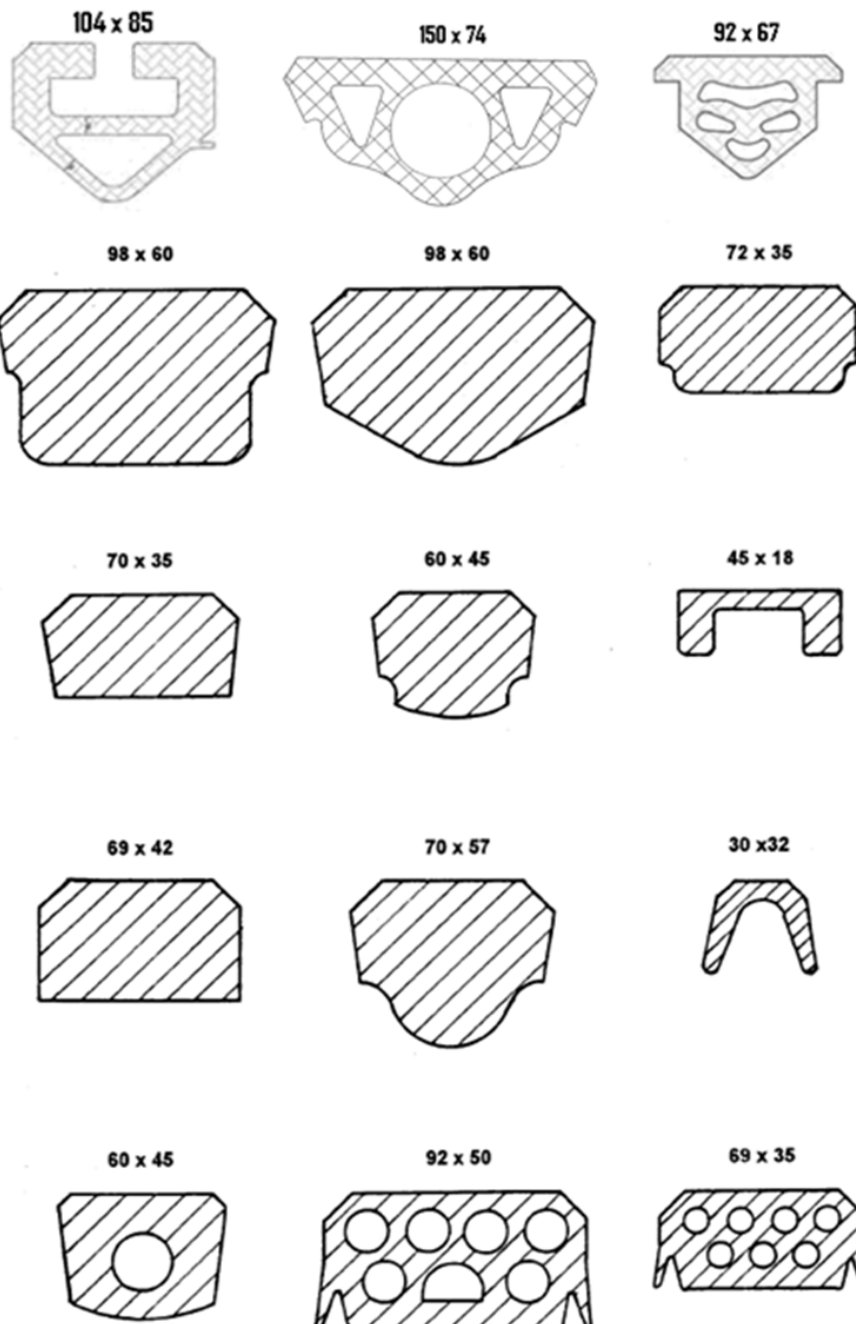


HATCH COVER EXPERTISE SINCE 1993

DEUMARECO

www.deumareco.com

RUBBER PROFILES — SOLID PROFILES



Deumareco Marine Systems GmbH
Nincoper Strasse 184
D-21129 Hamburg-Neuenfelde
Germany

Phone: +49-40-367 160
Fax: +49-40-367 578
E-mail: deumareco@t-online.de
Web: www.deumareco.com

St.-Nr.: 47/714/00715
VAT-No.: DE 811 476 598
Commercial Reg.: Hamburg HRB 52818
Managing Director: Jussi Pekka Järvinen



HATCH COVER EXPERTISE SINCE 1993

DEUMARECO

www.deumareco.com

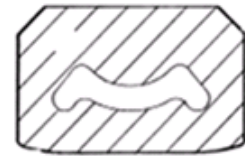
RUBBER PROFILES — SOLID PROFILES



72 x 67 mm



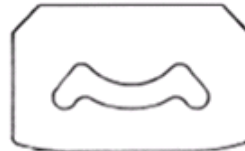
71 x 32 mm



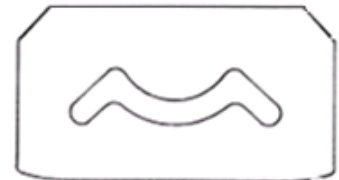
67 x 42 mm



72 x 72 mm



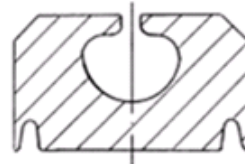
70 x 42 mm



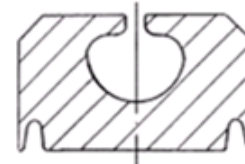
94 x 50 mm



80 x 70 mm



67 x 42 mm



70 x 42 mm



125 x 50 mm



175 x 50 mm



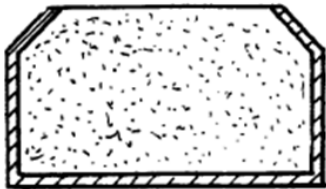
HATCH COVER EXPERTISE SINCE 1993

DEUMARECO

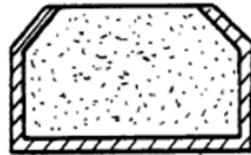
www.deumareco.com

RUBBER PROFILES — WATERTIGHT SPONGE RUBBERS

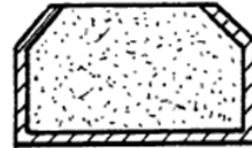
94 x 50



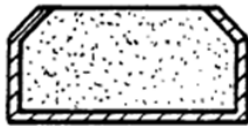
71 x 40



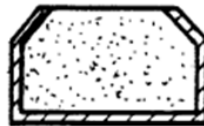
67 x 42



71 x 32



57 x 32

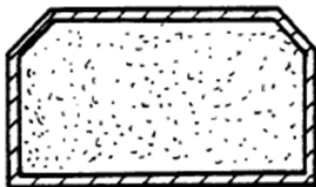


Other available sizes

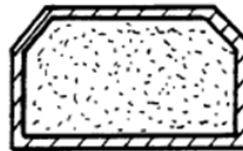
38 x 32	72 x 40
40 x 30	77 x 32
65 x 35	84 x 45
68 x 40	120 x 50
70 x 42	120 x 60
71 x 45	160 x 50

Oiltight Sponge Rubber Packings

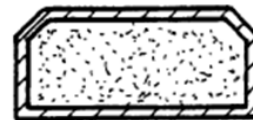
94 x 50



71 x 40

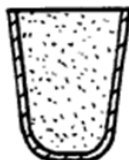


71 x 32



Sponge Rubber Packings for Reefers

30 x 40



Deumareco Marine Systems GmbH
Nincoper Strasse 184
D-21129 Hamburg-Neuenfelde
Germany

Phone: +49-40-367 160
Fax: +49-40-367 578
E-mail: deumareco@t-online.de
Web: www.deumareco.com

St.-Nr.: 47/714/00715
VAT-No.: DE 811 476 598
Commercial Reg.: Hamburg HRB 52818
Managing Director: Jussi Pekka Järvinen



HATCH COVER EXPERTISE SINCE 1993

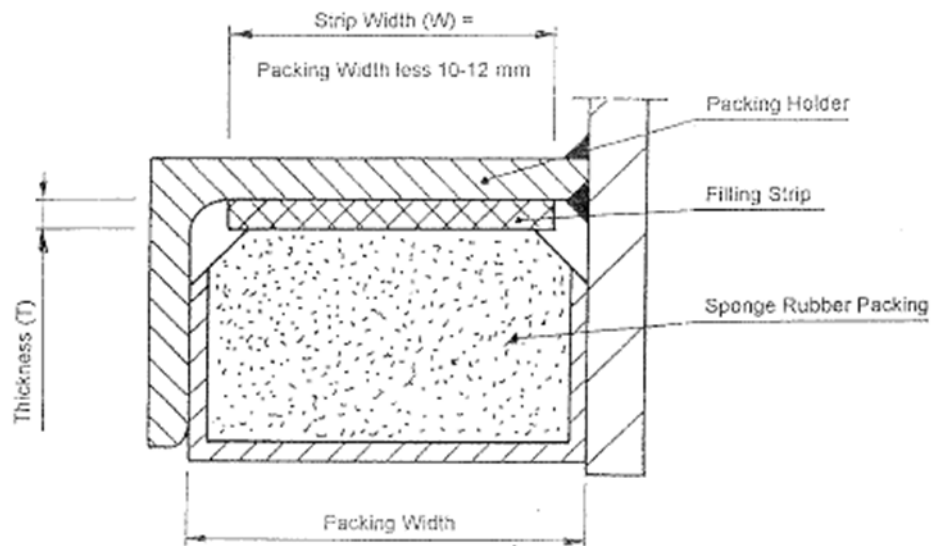
DEUMARECO

www.deumareco.com

FILLING STRIPS FOR RUBBER PACKINGS

Following standard thickness are available: 3mm, 5mm, 6mm, 8mm and 10mm.

The width of the strip is "Packing Width" minus 10 - 12mm according to the sketch below.



When ordering please state the Width (W), Thickness (T) and Quantity needed or type/ size of the rubber packing and preferably where it is to be used.

Deumareco Marine Systems GmbH
Nincoper Strasse 184
D-21129 Hamburg-Neuenfelde
Germany

Phone: +49-40-367 160
Fax: +49-40-367 578
E-mail: deumareco@t-online.de
Web: www.deumareco.com

St.-Nr.: 47/714/00715
VAT-No.: DE 811 476 598
Commercial Reg.: Hamburg HRB 52818
Managing Director: Jussi Pekka Järvinen



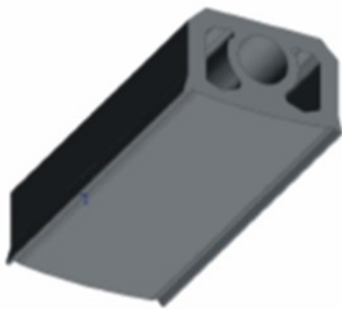
HATCH COVER EXPERTISE SINCE 1993

DEUMARECO

www.deumareco.com

MARECO "F" PACKINGS

MARECO Marine Systems is pleased to announce the next generation of MARECO solid rubber hatch cover gaskets replacing the sponge rubber products.



EPDM Solid Rubber With "TCT" Coating

The new gasket is made of EPDM solid rubber and due to its profile shape the compression set remains smaller, maintaining the original tightness. The lips in the edges and the compression bar force the sides of the gasket against the sides of the retaining channel, preventing the penetration of water between the channel and gasket, and thereby preventing rusting.

Benefits of the new product for the ship owner:

- long life time due to high quality EPDM rubber
- cost efficient in use
- TCT low friction coating on compression surface
- small permanent set even after long period of use
- no risk of water being absorbed, so the new gasket won't freeze
- wide operation temperature range $-40 \dots +60 \text{ }^{\circ}\text{C}$
- manufactured in continuous process
- delivery in lengths of 50 m or acc. to agreement

Available in standard dimensions:

- 67x42 mm
- 70x42 mm
- 71x32 mm
- 71x40 mm
- 94x50 mm

Any other size can be made upon request.

Deumareco Marine Systems GmbH
Nincoper Strasse 184
D-21129 Hamburg-Neuenfelde
Germany

Phone: +49-40-367 160
Fax: +49-40-367 578
E-mail: deumareco@t-online.de
Web: www.deumareco.com

St.-Nr.: 47/714/00715
VAT-No.: DE 811 476 598
Commercial Reg.: Hamburg HRB 52818
Managing Director: Jussi Pekka Järvinen



HATCH COVER EXPERTISE SINCE 1993

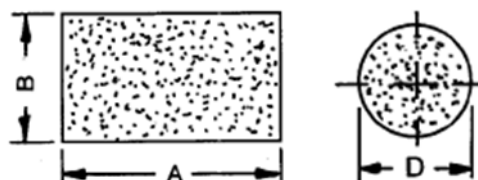
DEUMARECO

www.deumareco.com

Sponge Rubber Packings FOR DOORS, WINDOWS ETC.

Sponge Rubber Packings

Size (mm x mm)	Roll Length (m)	Size (mm x mm)	Roll Length (m)	Size (mm x mm)	Roll Length (m)
2 x 10	100	8 x 50	50	35 x 35	15
2 x 15	100	10 x 10	50	35 x 40	10
2 x 20	100	10 x 12	50	35 x 50	10
2 x 25	50	10 x 15	50	40 x 40	10
3 x 10	100	10 x 20	50	40 x 50	10
3 x 12	100	10 x 25	50	50 x 50	10
3 x 15	100	10 x 30	25		
3 x 20	100	10 x 35	25		
3 x 25	25	10 x 40	25		
3 x 30	50	10 x 45	25		
3 x 40	50	10 x 50	25		
3 x 50	50	10 x 60	25		
4 x 10	100	12 x 12	50		
4 x 12	100	12 x 15	50		
4 x 15	100	12 x 20	50		
4 x 20	100	12 x 25	50		
4 x 25	50	12 x 30	25		
4 x 30	50	12 x 35	25		
4 x 40	50	12 x 40	25		
4 x 50	50	12 x 50	25		
5 x 8	100	15 x 15	50		
5 x 10	100	15 x 20	25		
5 x 15	50	15 x 25	25		
5 x 20	50	15 x 30	25		
5 x 25	50	15 x 35	25		
5 x 30	50	15 x 40	25		
5 x 40	50	15 x 45	25		
5 x 50	25	15 x 50	25		
5 x 60	25	20 x 20	25		
6 x 10	100	20 x 25	25		
6 x 12	100	20 x 30	25		
6 x 15	100	20 x 35	25		
6 x 20	50	20 x 40	25		
6 x 25	50	20 x 45	25		
6 x 30	50	20 x 50	25		
6 x 40	25	25 x 25	25		
6 x 50	25	25 x 30	25		
7 x 10	100	25 x 35	25		
8 x 8	100	25 x 40	25		
8 x 10	100	25 x 45	15		
8 x 12	50	25 x 50	15		
8 x 18	50	30 x 30	20		
8 x 20	50	30 x 35	15		
8 x 25	50	30 x 40	15		
8 x 30	50	30 x 45	15		
8 x 40	50	30 x 50	15		



Diameter, D (mm)	Roll Length (m)
2	200
2,5	200
3	200
4	200
5	200
6	200
7	200
8	200
9	200
10	100
12	100
14	50
15	50
18	25
20	25
22	25
25	25
30	20
35	20
40	20
45	10
50	10
60	10

Deumareco Marine Systems GmbH
 Nincoper Strasse 184
 D-21129 Hamburg-Neuenfelde
 Germany

Phone: +49-40-367 160
 Fax: +49-40-367 578
 E-mail: deumareco@t-online.de
 Web: www.deumareco.com

St.-Nr.: 47/714/00715
 VAT-No.: DE 811 476 598
 Commercial Reg.: Hamburg HRB 52818
 Managing Director: Jussi Pekka Järvinen



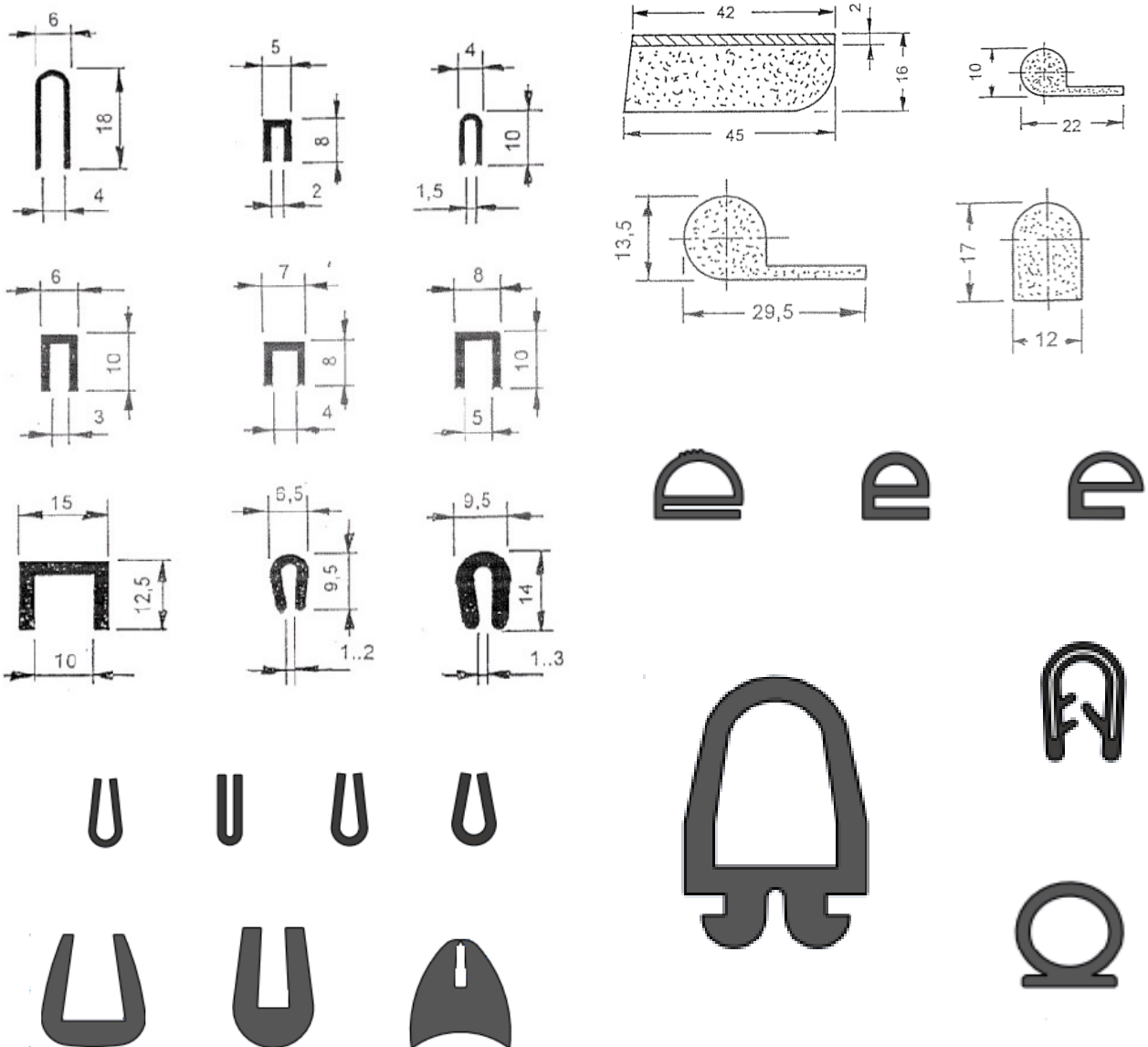
HATCH COVER EXPERTISE SINCE 1993

DEUMARECO

www.deumareco.com

SOLID RUBBER- / PVC- / MISCELLANEOUS PROFILES

- We can provide a wide range of different profiles and materials
- We can also manufacture profiles by request



Deumareco Marine Systems GmbH
Nincoper Strasse 184
D-21129 Hamburg-Neuenfelde
Germany

Phone: +49-40-367 160
Fax: +49-40-367 578
E-mail: deumareco@t-online.de
Web: www.deumareco.com

St.-Nr.: 47/714/00715
VAT-No.: DE 811 476 598
Commercial Reg.: Hamburg HRB 52818
Managing Director: Jussi Pekka Järvinen



HATCH COVER EXPERTISE SINCE 1993

DEUMARECO

www.deumareco.com

CORNER- AND END PACKINGS

- Our standard Corners– and End Packings are manufactured in a mould
- All sort of Special corners can be manufactured when all the necessary dimensions and details have been provided



Deumareco Marine Systems GmbH
Nincoper Strasse 184
D-21129 Hamburg-Neuenfelde
Germany

Phone: +49-40-367 160
Fax: +49-40-367 578
E-mail: deumareco@t-online.de
Web: www.deumareco.com

St.-Nr.: 47/714/00715
VAT-No.: DE 811 476 598
Commercial Reg.: Hamburg HRB 52818
Managing Director: Jussi Pekka Järvinen

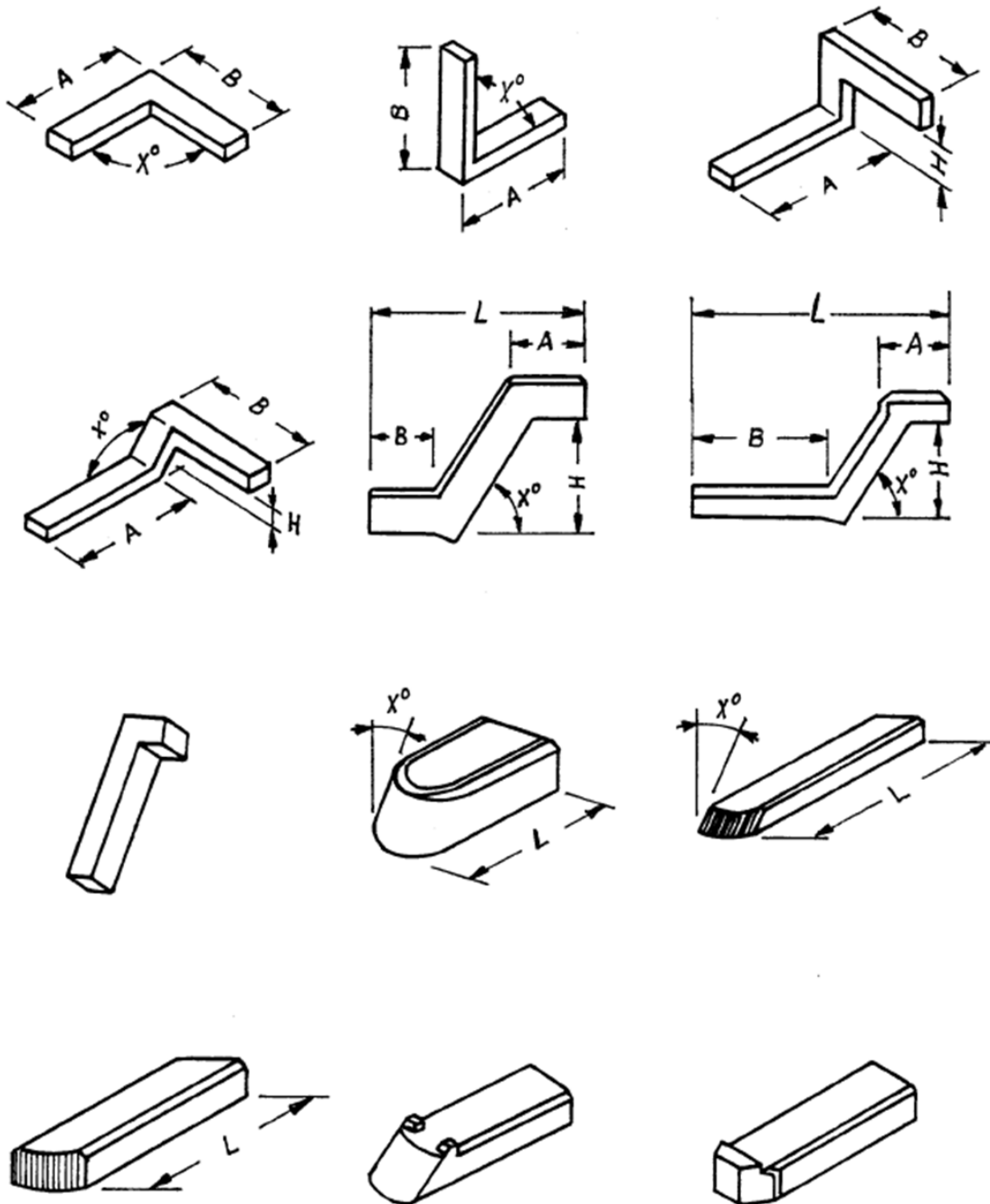


HATCH COVER EXPERTISE SINCE 1993

DEUMARECO

www.deumareco.com

CORNER- AND END PACKINGS



Deumareco Marine Systems GmbH
Nincoper Strasse 184
D-21129 Hamburg-Neuenfelde
Germany

Phone: +49-40-367 160
Fax: +49-40-367 578
E-mail: deumareco@t-online.de
Web: www.deumareco.com

St.-Nr.: 47/714/00715
VAT-No.: DE 811 476 598
Commercial Reg.: Hamburg HRB 52818
Managing Director: Jussi Pekka Järvinen



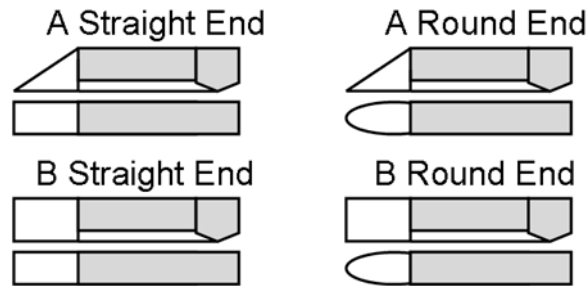
HATCH COVER EXPERTISE SINCE 1993

DEUMARECO

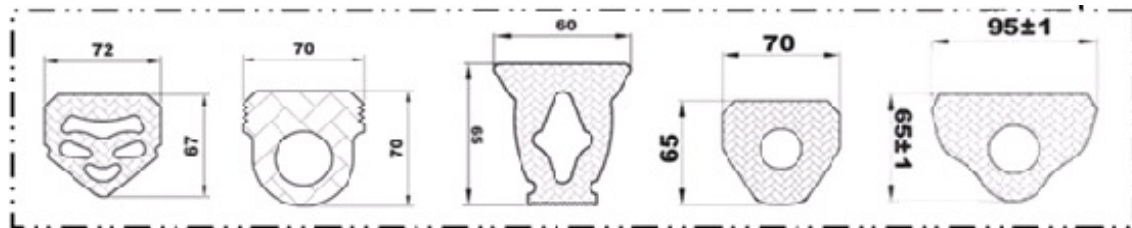
www.deumareco.com

RUBBER SELECTION

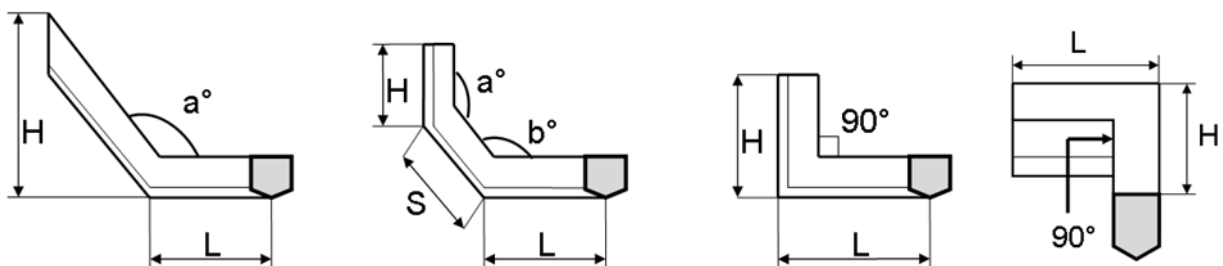
1. Rubber End Pieces



2. Profile Type



3. Corner Measures





HATCH COVER EXPERTISE SINCE 1993

DEUMARECO

www.deumareco.com

BEARINGS AND SEALINGS

We offer many types of standardised Bearings assemblies.

- Ball Bearings
- Roller Bearings
- Tapered Roller Bearings
- Needle Bearings
- Spherical Bearing
- Slide Bearings
- Pivot Bearings
- And many others....



Deumareco Marine Systems GmbH
Nincoper Strasse 184
D-21129 Hamburg-Neuenfelde
Germany

Phone: +49-40-367 160
Fax: +49-40-367 578
E-mail: deumareco@t-online.de
Web: www.deumareco.com

St.-Nr.: 47/714/00715
VAT-No.: DE 811 476 598
Commercial Reg.: Hamburg HRB 52818
Managing Director: Jussi Pekka Järvinen



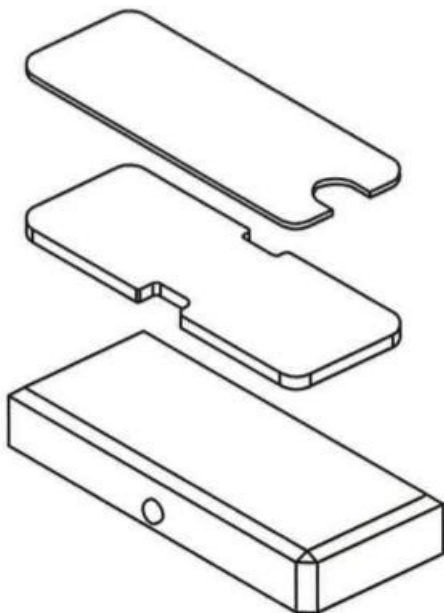
HATCH COVER EXPERTISE SINCE 1993

DEUMARECO

www.deumareco.com

BEARING PADS, COMPOSITE

- New Type of bearing pads made completely from composite material
- Main material is polymer, reinforced with textile layers
- Longer service life than regular Polymer pad
- The material is highly durable, light, and as functional as traditional hard materials. Also The textile reinforced pads are very well suited to different weather conditions
- Main materials that we offer, that can be seen from the category table below; are PMB (over 2500 TEU) and PMD (below 2500 TEU)



Type	PMA	PMB	PMC	PMD	PME
Structure	Textile-reinforced Polymer Material	Textile-reinforced Polymer Material	Textile-reinforced Polymer Material	Textile-reinforced Polymer Material	Fiber-reinforced Polymer Material
Feature	PTFE for Low Friction	Low Friction	Low Friction	Low Friction	Low Friction
Max. Allowable Load / MPa	35	25	30	25	25
Compressive Strength / MPa	290	220	270	220	130
Max. Allowable P.V.	900	800	800	600	600
Friction Coefficient	0.05-0.07	0.13-0.14	0.13-0.14	0.13-0.14	0.13-0.14

* GL, No.KBZ 1218 HH. and ISO9001, No.CN-00212Q17475ROS

Deumareco Marine Systems GmbH
Nincoper Strasse 184
D-21129 Hamburg-Neuenfelde
Germany

Phone: +49-40-367 160
Fax: +49-40-367 578
E-mail: deumareco@t-online.de
Web: www.deumareco.com

St.-Nr.: 47/714/00715
VAT-No.: DE 811 476 598
Commercial Reg.: Hamburg HRB 52818
Managing Director: Jussi Pekka Järvinen



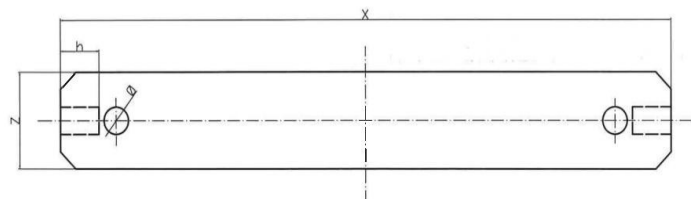
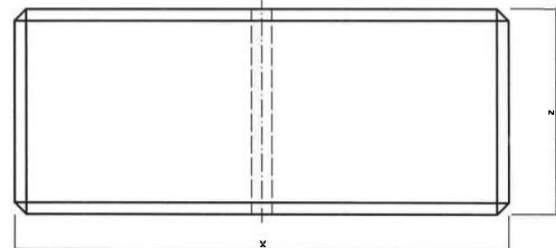
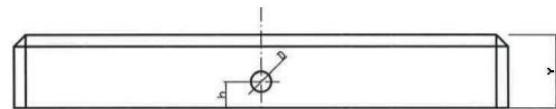
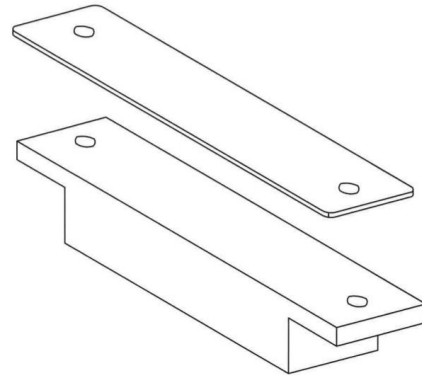
HATCH COVER EXPERTISE SINCE 1993

DEUMARECO

www.deumareco.com

BEARING PADS, STEEL AND BRONZE

- We also offer Bearing Pads made from Steel or Bronze
- Alternative dimensions applies



Assembly includes the Bearing Pad, Shim plate, Balance rubber, and locking Pin.

Deumareco Marine Systems GmbH
Nincoper Strasse 184
D-21129 Hamburg-Neuenfelde
Germany

Phone: +49-40-367 160
Fax: +49-40-367 578
E-mail: deumareco@t-online.de
Web: www.deumareco.com

St.-Nr.: 47/714/00715
VAT-No.: DE 811 476 598
Commercial Reg.: Hamburg HRB 52818
Managing Director: Jussi Pekka Järvinen



HATCH COVER EXPERTISE SINCE 1993

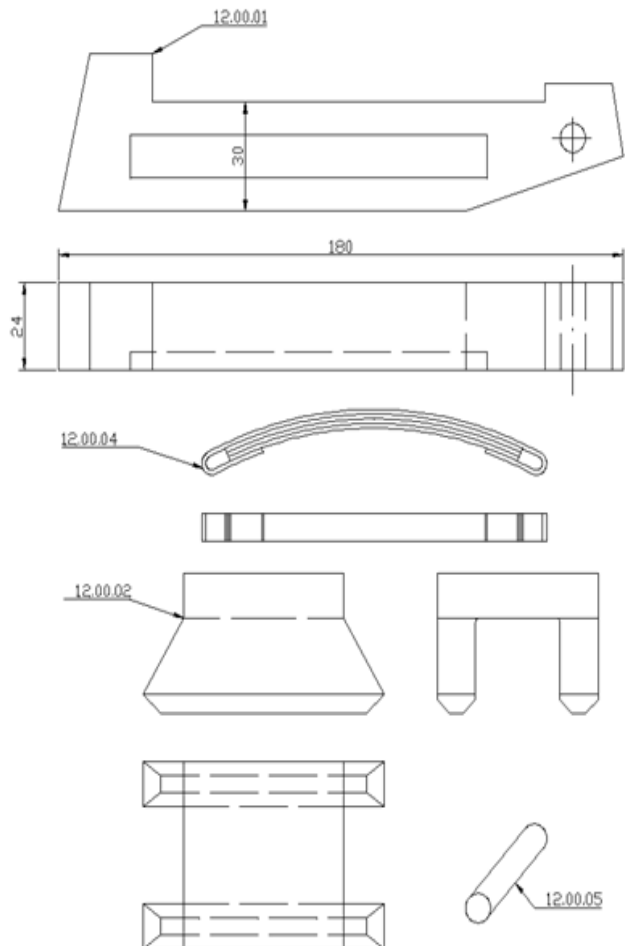
DEUMARECO

www.deumareco.com

12.00 CROSS JOINT WEDGE ASSEMBLY

Assembly includes;

- 12.00.01 Wedge
- 12.00.02 Saddle
- 12.00.04 Leaf Spring
- 12.00.05 Taper Pin





HATCH COVER EXPERTISE SINCE 1993

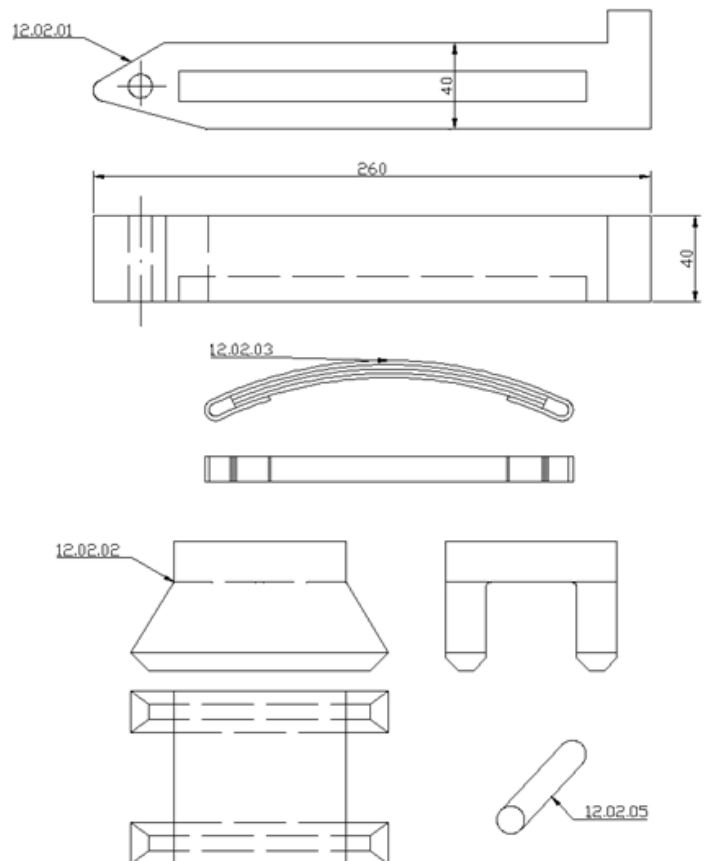
DEUMARECO

www.deumareco.com

12.02 CROSS JOINT WEDGE ASSEMBLY

Assembly includes;

- 12.02.01 Wedge
- 12.02.02 Saddle
- 12.02.03 Leaf Spring
- 12.02.05 Taper Pin





HATCH COVER EXPERTISE SINCE 1993

DEUMARECO

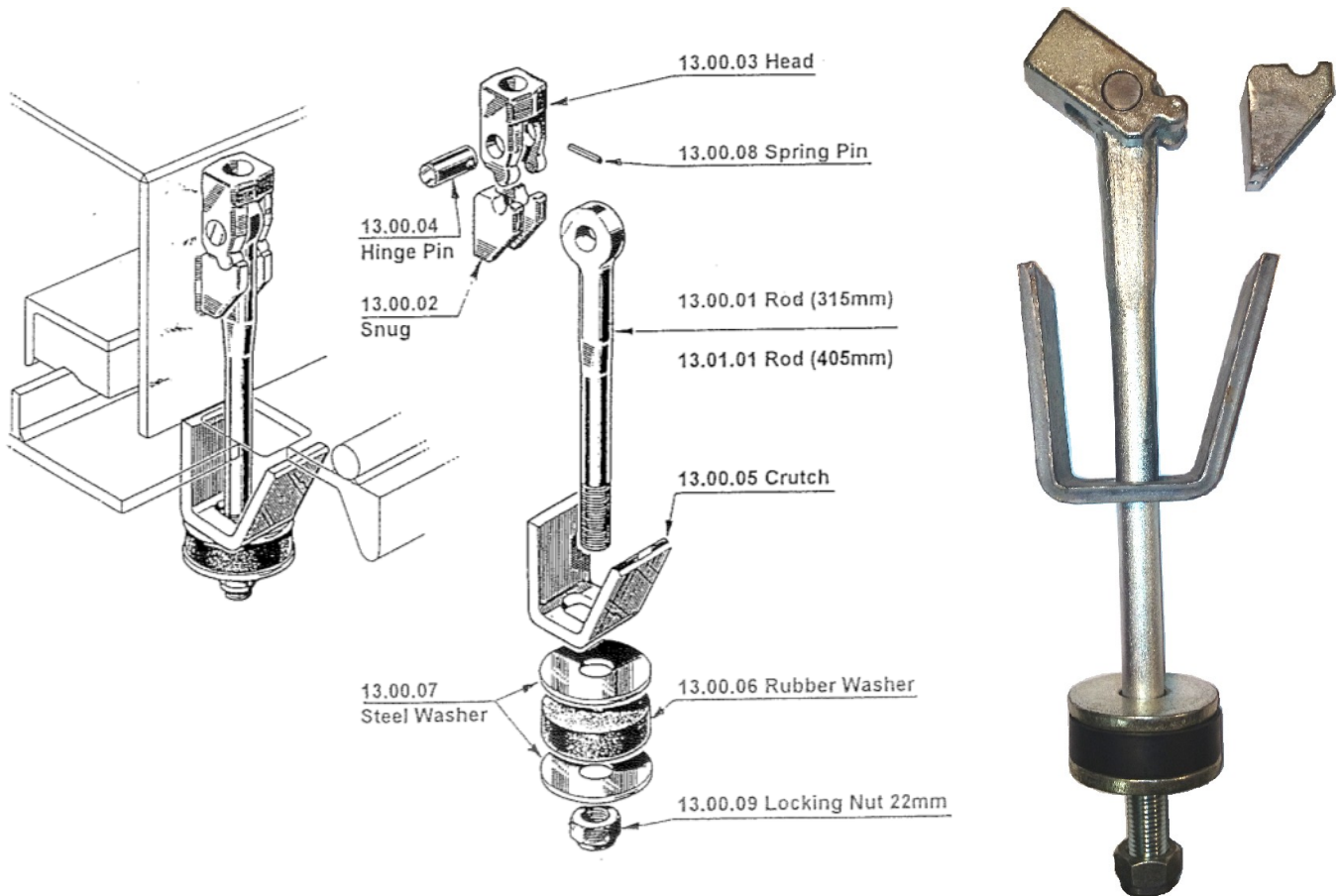
www.deumareco.com

QUICK ACTING CLEAT ASSEMBLY 13.00 / 13.01 / 13.03

13.00 Quick Acting Cleat Assembly, **315mm** Rod Length, **M22**

13.01 Quick Acting Cleat Assembly, **405mm** Rod Length, **M22**

13.03 Heavy Duty Quick Acting Cleat Assembly, **440mm** Rod Length, **M33**



The 13.00, 13.01, and 13.03 consists of Rod, Head (03), Hinge Pin (04), Spring Pin (08) and Nut (09) pre-Assembled.

Deumareco Marine Systems GmbH
Nincoper Strasse 184
D-21129 Hamburg-Neuenfelde
Germany

Phone: +49-40-367 160
Fax: +49-40-367 578
E-mail: deumareco@t-online.de
Web: www.deumareco.com

St.-Nr.: 47/714/00715
VAT-No.: DE 811 476 598
Commercial Reg.: Hamburg HRB 52818
Managing Director: Jussi Pekka Järvinen



HATCH COVER EXPERTISE SINCE 1993

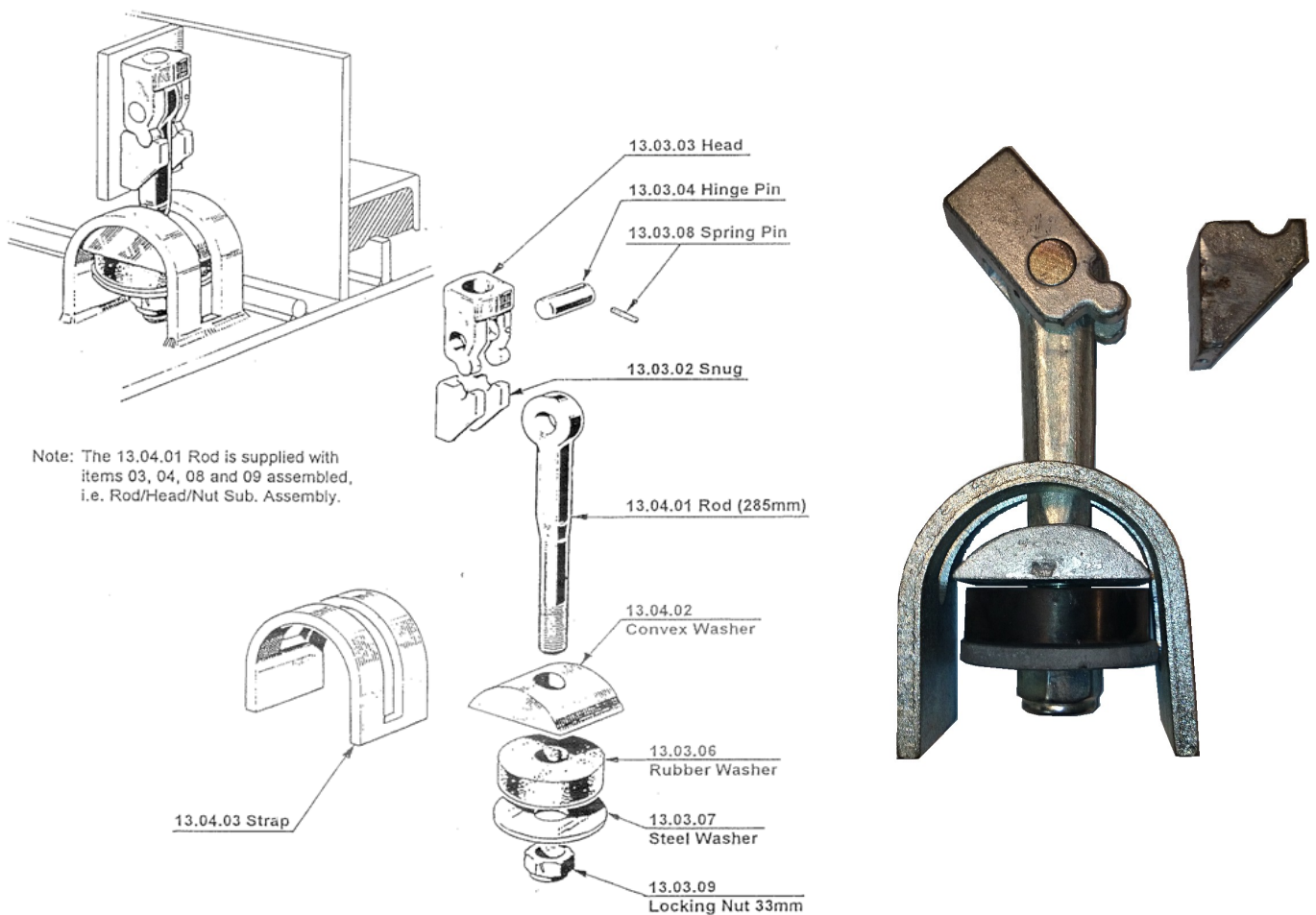
DEUMARECO

www.deumareco.com

QUICK ACTING CLEAT ASSEMBLY 13.02 / 13.04

13.02 Quick Acting Cleat Assembly, **180mm** Rod Length, **M22**

13.04 Heavy Duty Quick Acting Cleat Assembly, **285mm** Rod Length, **M33**



The 13.02 & 13.04 consists of Rod, Head (03), Hinge Pin (04), Spring Pin (08) and Nut (09) pre-Assembled.

Deumareco Marine Systems GmbH
Nincoper Strasse 184
D-21129 Hamburg-Neuenfelde
Germany

Phone: +49-40-367 160
Fax: +49-40-367 578
E-mail: deumareco@t-online.de
Web: www.deumareco.com

St.-Nr.: 47/714/00715
VAT-No.: DE 811 476 598
Commercial Reg.: Hamburg HRB 52818
Managing Director: Jussi Pekka Järvinen



HATCH COVER EXPERTISE SINCE 1993

DEUMARECO

www.deumareco.com

SNAP LOCK CLEAT ASSEMBLY

Assembly includes:

- | | |
|------------------------------------|-------------------|
| 1. Cleating Bolt (L, D and Thread) | 4. CAM Lock |
| 2. Washer Top | 5. Elastic Washer |
| 3. Washer Bottom | 6. Hex Nut |

- Main possibilities for Diameter (Ø): **M22, M30, M36**





HATCH COVER EXPERTISE SINCE 1993

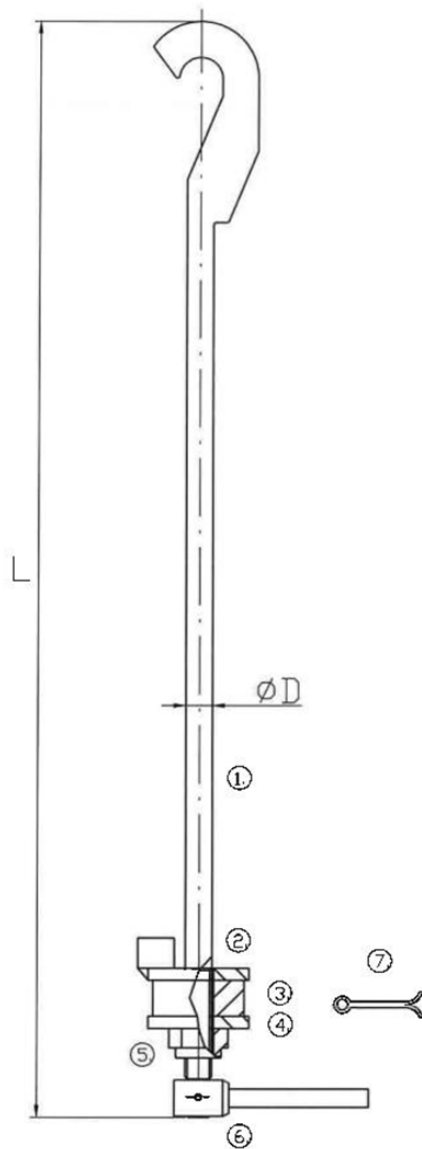
DEUMARECO

www.deumareco.com

QUICK ACTING CLEAT ASSEMBLY, HOOK TYPE

Assembly includes:

- | | |
|------------------------------------|----------------|
| 1. Cleating Bolt (L, D and Thread) | 5. Hex Nut |
| 2. Half-round Washer | 6. Handle |
| 3. Rubber Washer | 7. Locking Pin |
| 4. Steel Washer | |
- Main possibilities for Diameter (Ø): **M22, M33**



Deumareco Marine Systems GmbH
Nincoper Strasse 184
D-21129 Hamburg-Neuenfelde
Germany

Phone: +49-40-367 160
Fax: +49-40-367 578
E-mail: deumareco@t-online.de
Web: www.deumareco.com

St.-Nr.: 47/714/00715
VAT-No.: DE 811 476 598
Commercial Reg.: Hamburg HRB 52818
Managing Director: Jussi Pekka Järvinen



HATCH COVER EXPERTISE SINCE 1993

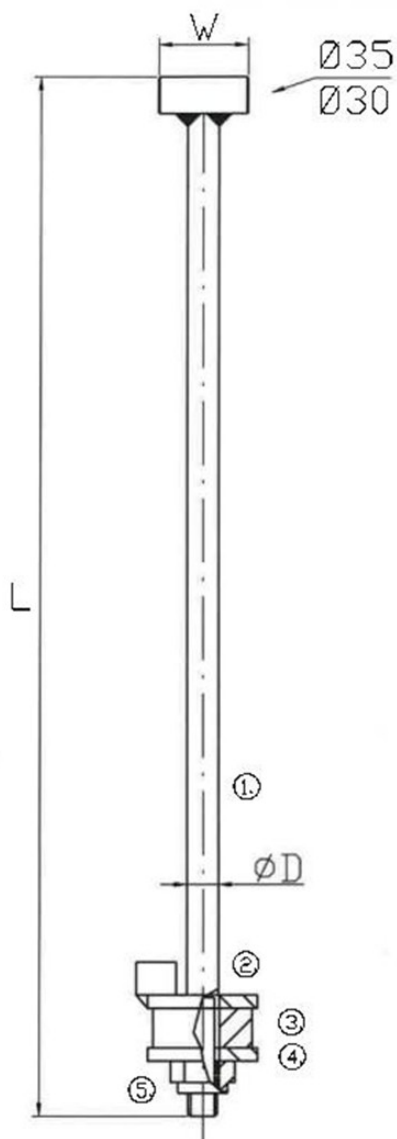
DEUMARECO

www.deumareco.com

QUICK ACTING CLEAT ASSEMBLY, T- BOLT

Assembly includes:

1. Cleating Bolt (L, D and Thread)
2. Round Washer
3. Rubber Washer
4. Steel Washer
5. Hex Nut





HATCH COVER EXPERTISE SINCE 1993

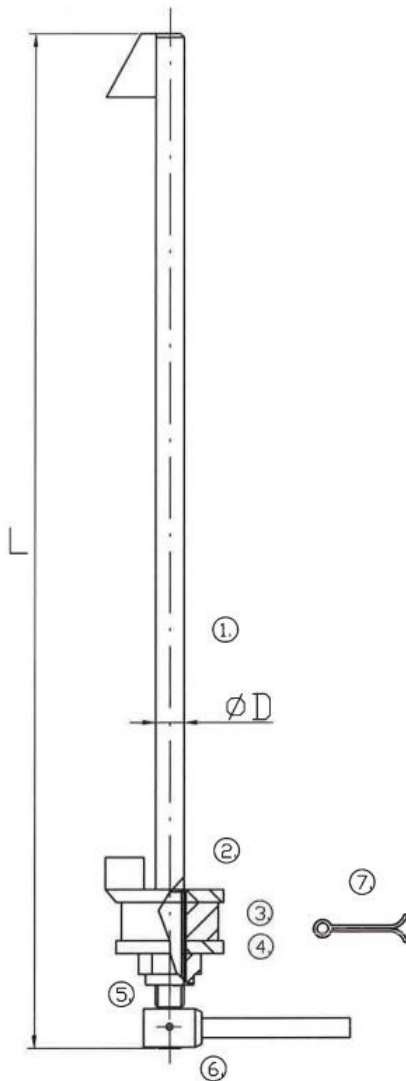
DEUMARECO

www.deumareco.com

QUICK ACTING CLEAT ASSEMBLY, FLAG TYPE

Assembly includes:

- | | |
|------------------------------------|----------------|
| 1. Cleating Bolt (L, D and Thread) | 5. Hex Nut |
| 2. Half-round Washer | 6. Handle |
| 3. Rubber Washer | 7. Locking Pin |
| 4. Steel Washer | |
- Main possibilities for Diameter (Ø): **M22, M33**



Deumareco Marine Systems GmbH
Nincoper Strasse 184
D-21129 Hamburg-Neuenfelde
Germany

Phone: +49-40-367 160
Fax: +49-40-367 578
E-mail: deumareco@t-online.de
Web: www.deumareco.com

St.-Nr.: 47/714/00715
VAT-No.: DE 811 476 598
Commercial Reg.: Hamburg HRB 52818
Managing Director: Jussi Pekka Järvinen



HATCH COVER EXPERTISE SINCE 1993

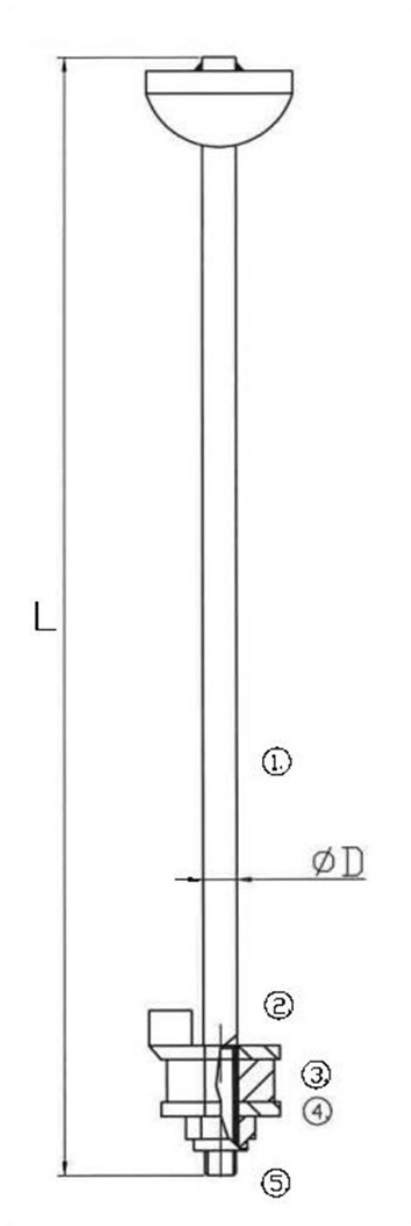
DEUMARECO

www.deumareco.com

QUICK ACTING CLEAT ASSEMBLY, CONVEX TYPE

Assembly includes:

- | | |
|------------------------------------|-----------------|
| 1. Cleating Bolt (L, D and Thread) | 4. Steel Washer |
| 2. Round Washer | 5. Hex Nut |
| 3. Rubber Washer | |



Deumareco Marine Systems GmbH
Nincoper Strasse 184
D-21129 Hamburg-Neuenfelde
Germany

Phone: +49-40-367 160
Fax: +49-40-367 578
E-mail: deumareco@t-online.de
Web: www.deumareco.com

St.-Nr.: 47/714/00715
VAT-No.: DE 811 476 598
Commercial Reg.: Hamburg HRB 52818
Managing Director: Jussi Pekka Järvinen



HATCH COVER EXPERTISE SINCE 1993

DEUMARECO

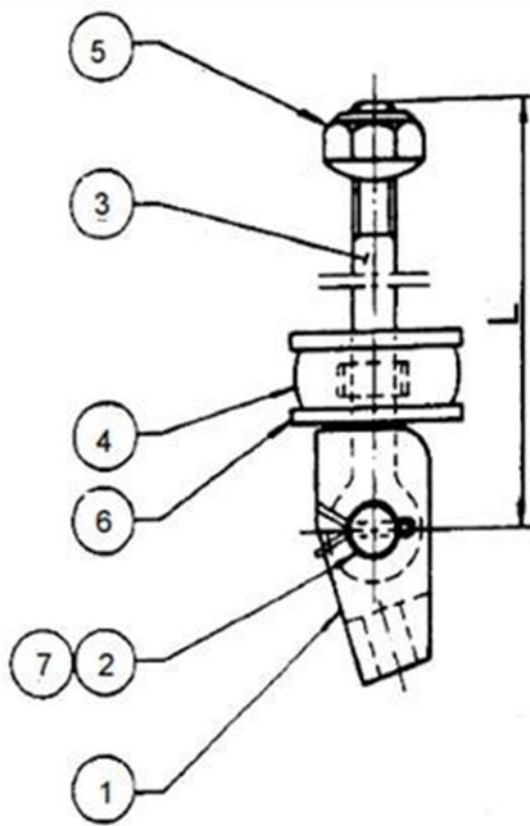
www.deumareco.com

BATTENING BOLT ASSEMBLY

Thread Type under M24, M30, M33 and M39.

When ordering please specify:

- Thread (M24, M30, M33, M39)
- Length (L)



- Pos. 1 - Cam
- Pos. 2 - Pin
- Pos. 3 - Eye bolt L= 545 mm
- Pos. 4 - Rubber disc
- Pos. 5 - Locking nut
- Pos. 6 - Washer (2 pcs)
- Pos. 7 - Split pin (2 pcs)



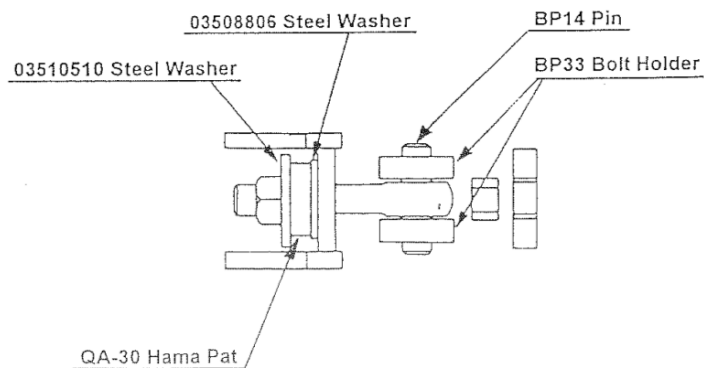
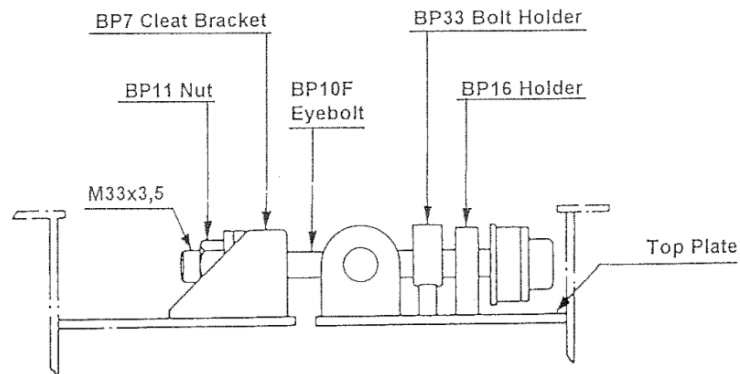


HATCH COVER EXPERTISE SINCE 1993

DEUMARECO

www.deumareco.com

TOP CLEAT ASSEMBLIES





HATCH COVER EXPERTISE SINCE 1993

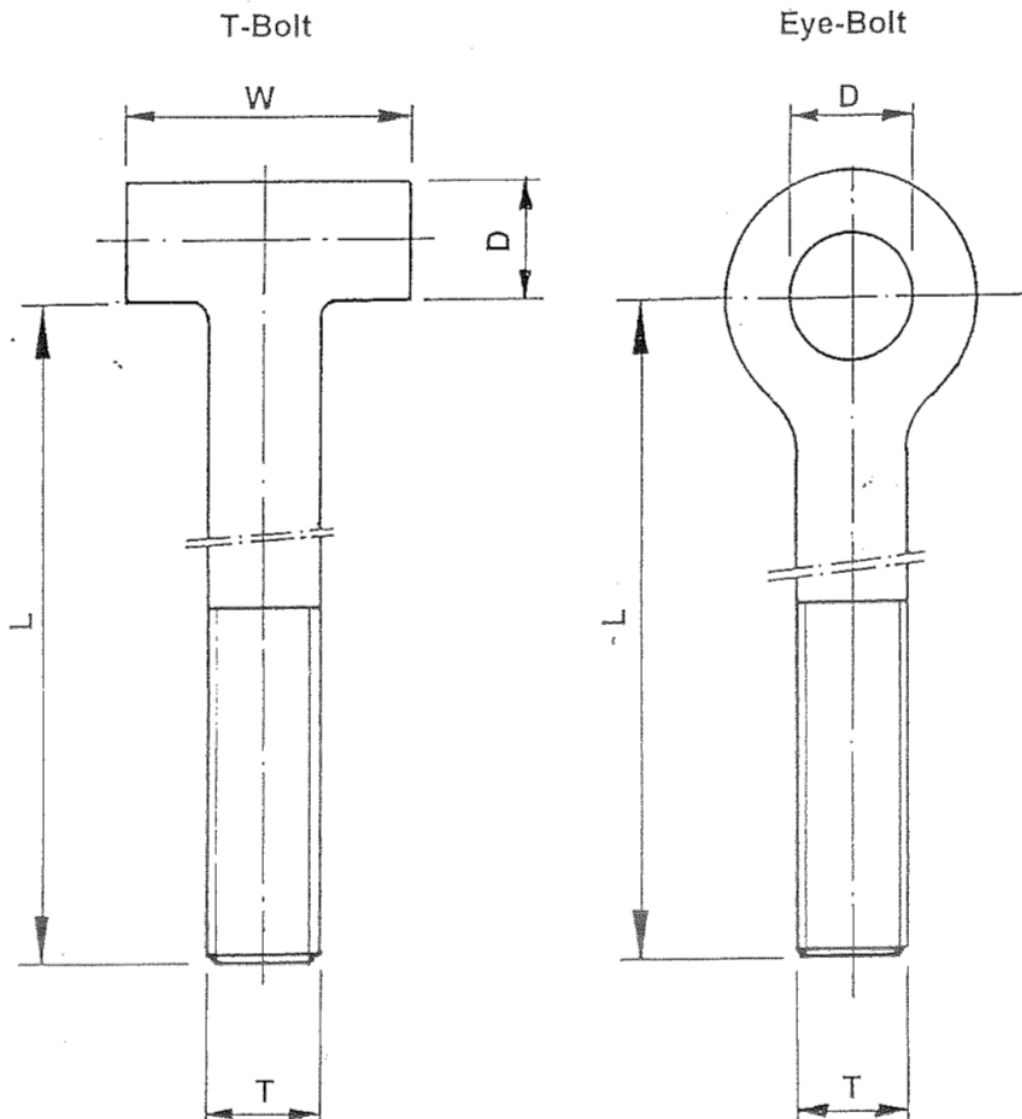
DEUMARECO

www.deumareco.com

T- BOLT CLEATS & EYE- BOLT CLEATS

Several different types available, when ordering please state:

- Type of the Bolt
- Length (L)
- Width (W)
- Diameter (D)
- Thread (T), e.g. **M24, M30, M36, M39**



Deumareco Marine Systems GmbH
Nincoper Strasse 184
D-21129 Hamburg-Neuenfelde
Germany

Phone: +49-40-367 160
Fax: +49-40-367 578
E-mail: deumareco@t-online.de
Web: www.deumareco.com

St.-Nr.: 47/714/00715
VAT-No.: DE 811 476 598
Commercial Reg.: Hamburg HRB 52818
Managing Director: Jussi Pekka Järvinen



HATCH COVER EXPERTISE SINCE 1993

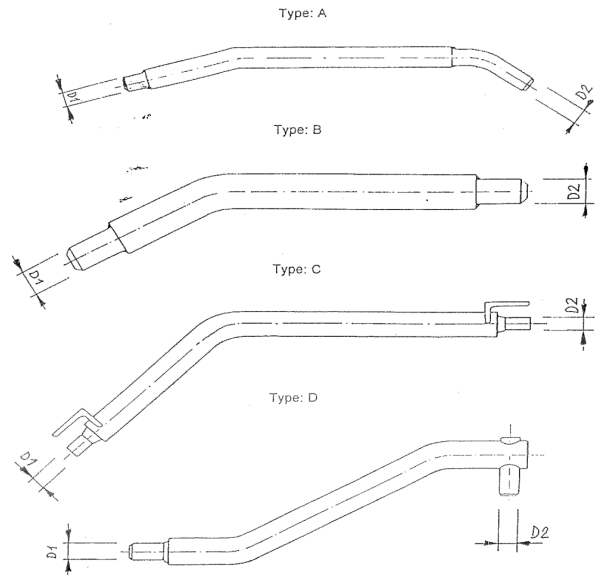
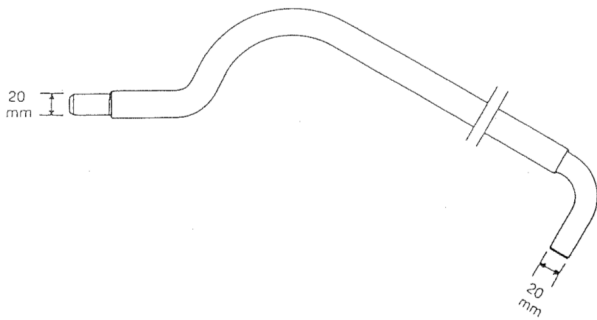
DEUMARECO

www.deumareco.com

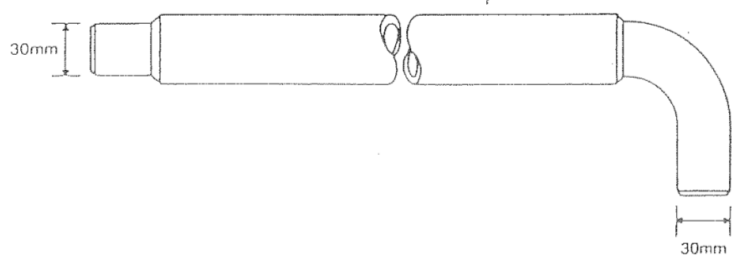
OPERATING LEVERS FOR CLEATS

**When ordering please state
type of Lever and D1/ D2.**

30.01.02 Lever for 22mm Quick Acting Cleats



30.01.03 Lever for 33mm Heavy Duty Quick Acting Cleats





HATCH COVER EXPERTISE SINCE 1993

DEUMARECO

www.deumareco.com

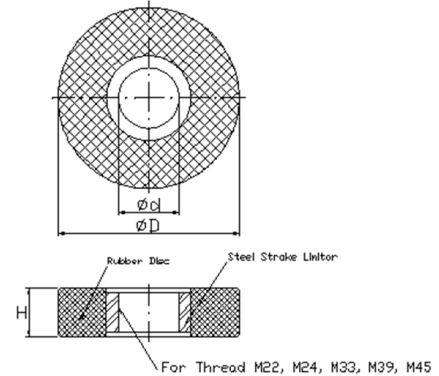
STEEL AND RUBBER WASHER SELECTION

We can provide a wide selection of washers in all sizes.

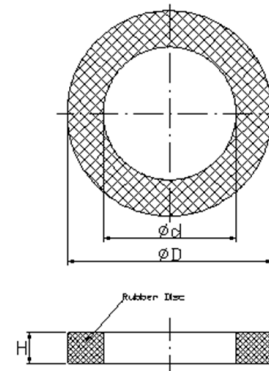
- Rubber Washers with or without inner metal



Rubber Washer With Steel Stroke Limitor



Rubber Washer Without Steel Stroke Limitor



- Steel Washers for all purposes
- We can provide all other standard steel hardware for Bolts and Cleats





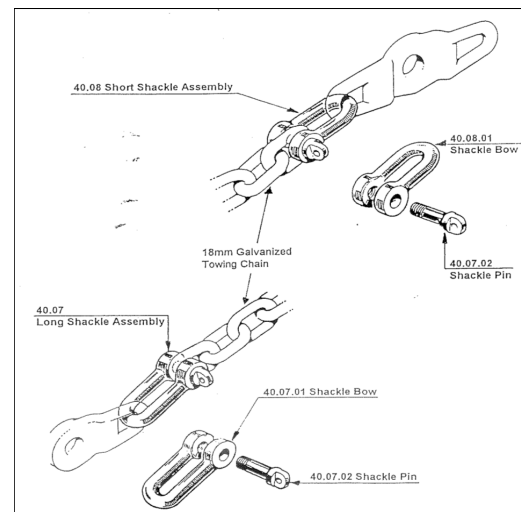
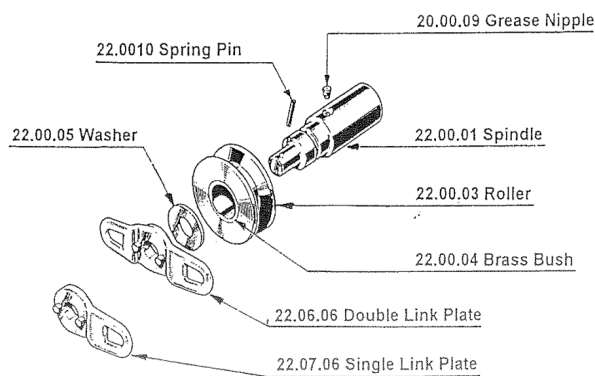
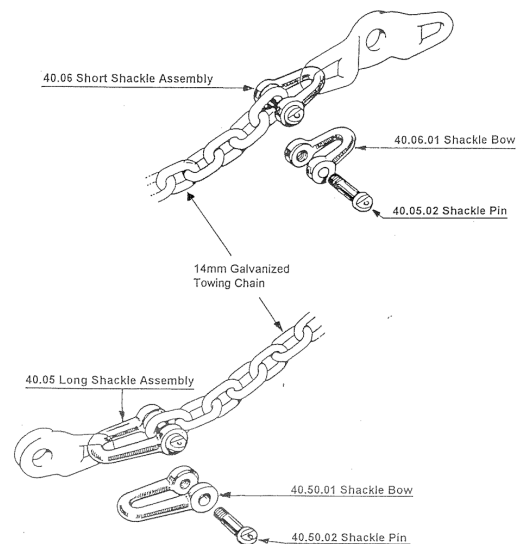
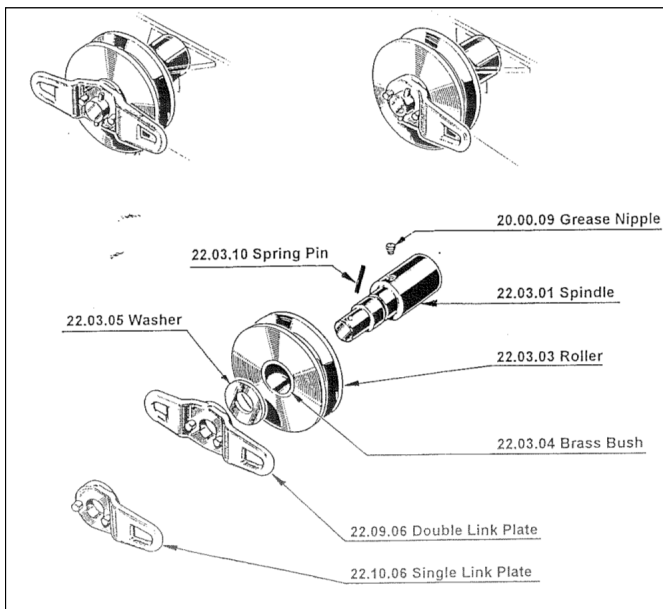
HATCH COVER EXPERTISE SINCE 1993

DEUMARECO

www.deumareco.com

SINGLE-PULL HATCH COVER PARTS

- 20.00 Eccentric Wheel Assembly, 200mm Dia
20.02 Eccentric Wheel Assembly, 260mm Dia
- 22.04 / 22.09 Balancing Roller, Double Link, 2.5 – 4 Tons / > 4 tons
22.05 / 22.10 Balancing Roller, Single Link, 2.5 – 4 Tons / > 4 tons
- 40.05 Long Shackle Assembly for Covers 2.5 – 4 Tons Weight
40.06 Long Shackle Assembly for Covers 2.5 – 4 Tons Weight
- 40.07 Long Shackle Assembly for Cover > 4 Tons
40.08 Long Shackle Assembly for Cover > 4 Tons



Deumareco Marine Systems GmbH
Nincoper Strasse 184
D-21129 Hamburg-Neuenfelde
Germany

Phone: +49-40-367 160
Fax: +49-40-367 578
E-mail: deumareco@t-online.de
Web: www.deumareco.com

St.-Nr.: 47/714/00715
VAT-No.: DE 811 476 598
Commercial Reg.: Hamburg HRB 52818
Managing Director: Jussi Pekka Järvinen



HATCH COVER EXPERTISE SINCE 1993

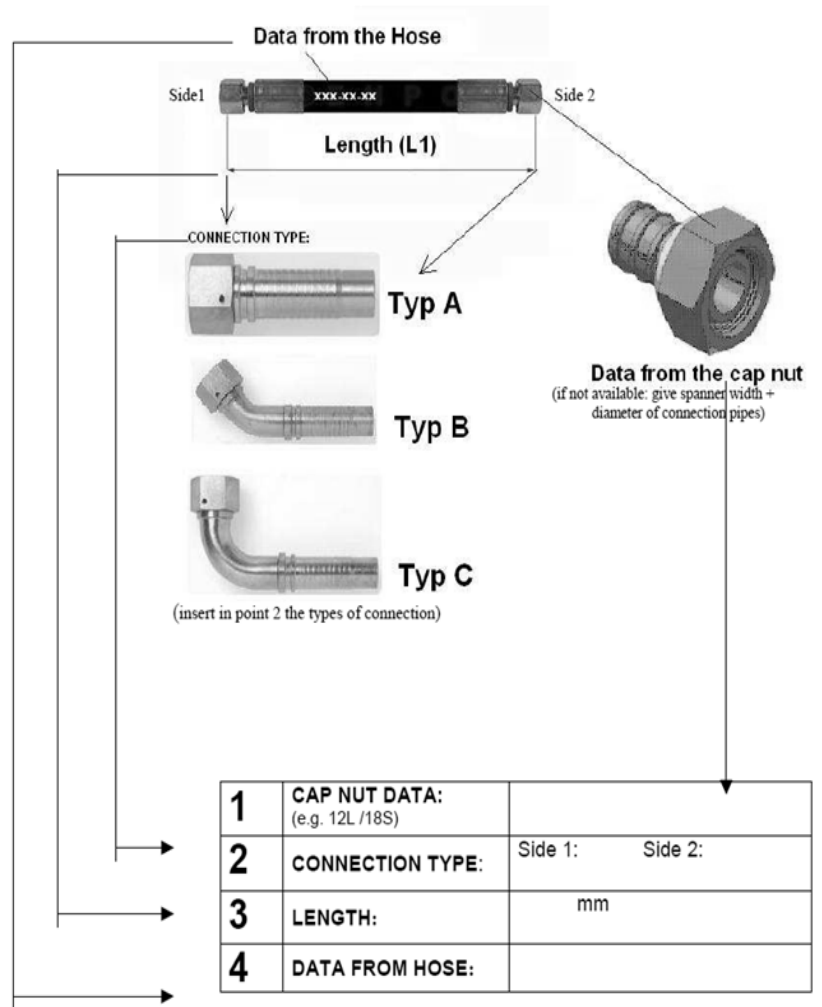
DEUMARECO

www.deumareco.com

HYDRAULIC HOSES

For hydraulic hose order we need to know the following details about the hose couplings:

- Size of coupling (key size, thread size)
- Direction of Coupling (Straight, 90° or Something else)
- Type of Coupling (Male or Female)
- Working Pressure (WP)
- Length to the Hose
- Outer diameter of Connecting Pipe



EXAMPLE ORDER:

- Hydraulic Hose for hatch cover
- 1. Cap Nut: 25 S
- 2. Side1:Typ A Side2:Typ C
- 3. Length: e.g. 1200mm
- 4. Hose:PHD210x2000xAOL AFL08



HATCH COVER EXPERTISE SINCE 1993

DEUMARECO

www.deumareco.com

HYDRAULIC COMPONENTS

Quick Couplings and Pipe Clamps & Pressure Gauges



Hydraulic Motors & Hydraulic Pumps

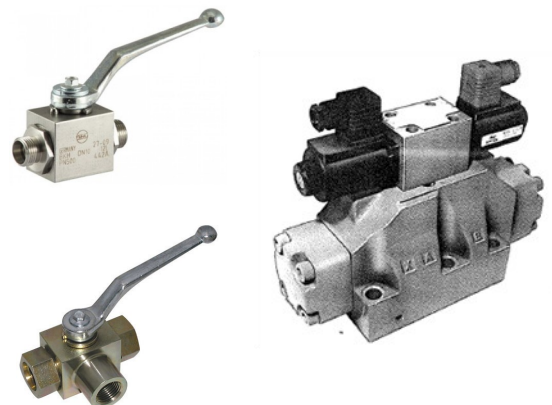


Filter Elements & Complete Filters



Valves

- Ball Valves
- Check Valves
- Directional Control Valves
- Drain Valves
- Flow Valves
- Hydraulic Control Valves
- Pressure Valves
- Stop Valves



Deumareco Marine Systems GmbH
Nincoper Strasse 184
D-21129 Hamburg-Neuenfelde
Germany

Phone: +49-40-367 160
Fax: +49-40-367 578
E-mail: deumareco@t-online.de
Web: www.deumareco.com

St.-Nr.: 47/714/00715
VAT-No.: DE 811 476 598
Commercial Reg.: Hamburg HRB 52818
Managing Director: Jussi Pekka Järvinen



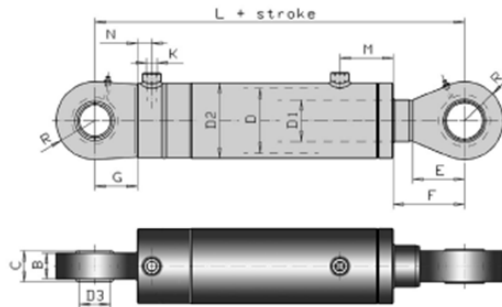
HATCH COVER EXPERTISE SINCE 1993

DEUMARECO

www.deumareco.com

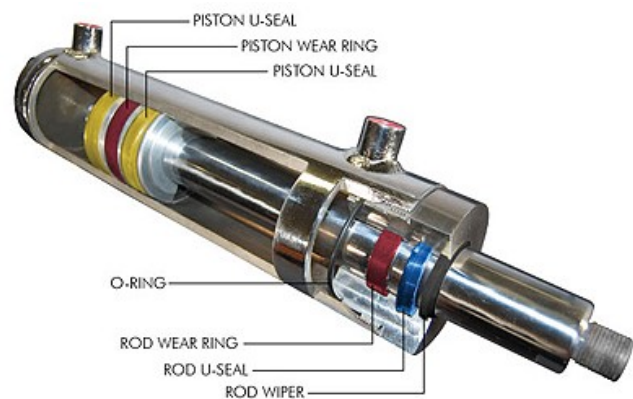
HYDRAULIC COMPONENTS

Marine Hydraulic Cylinders

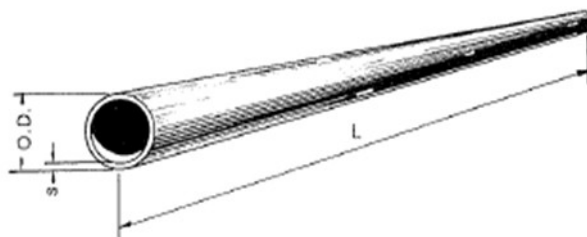


Seals for Hydraulic and Pneumatic Equipment

- Piston Seals
- Rod Seals
- Wiper Seals
- Back-up Rings
- Guide Rings
- O-Rings
- Pneumatic Seals
- Shaft Seals
- V-Seals



Hydraulic Pipes



- When ordering please state working pressure, outside diameter, inside diameter and material (Galvanized or Black)

Deumareco Marine Systems GmbH
Nincoper Strasse 184
D-21129 Hamburg-Neuenfelde
Germany

Phone: +49-40-367 160
Fax: +49-40-367 578
E-mail: deumareco@t-online.de
Web: www.deumareco.com

St.-Nr.: 47/714/00715
VAT-No.: DE 811 476 598
Commercial Reg.: Hamburg HRB 52818
Managing Director: Jussi Pekka Järvinen

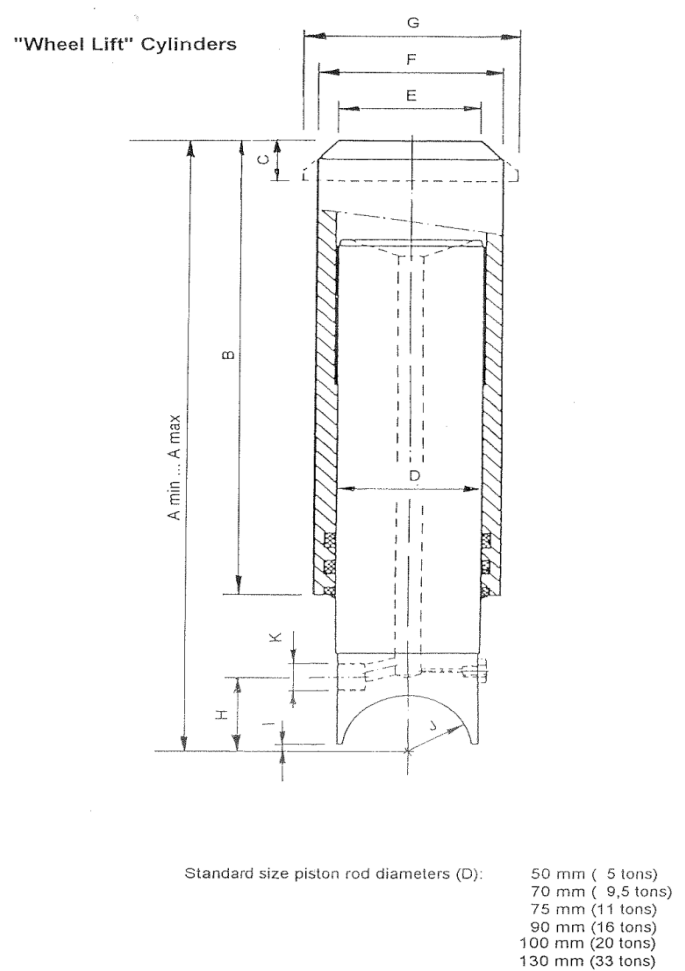
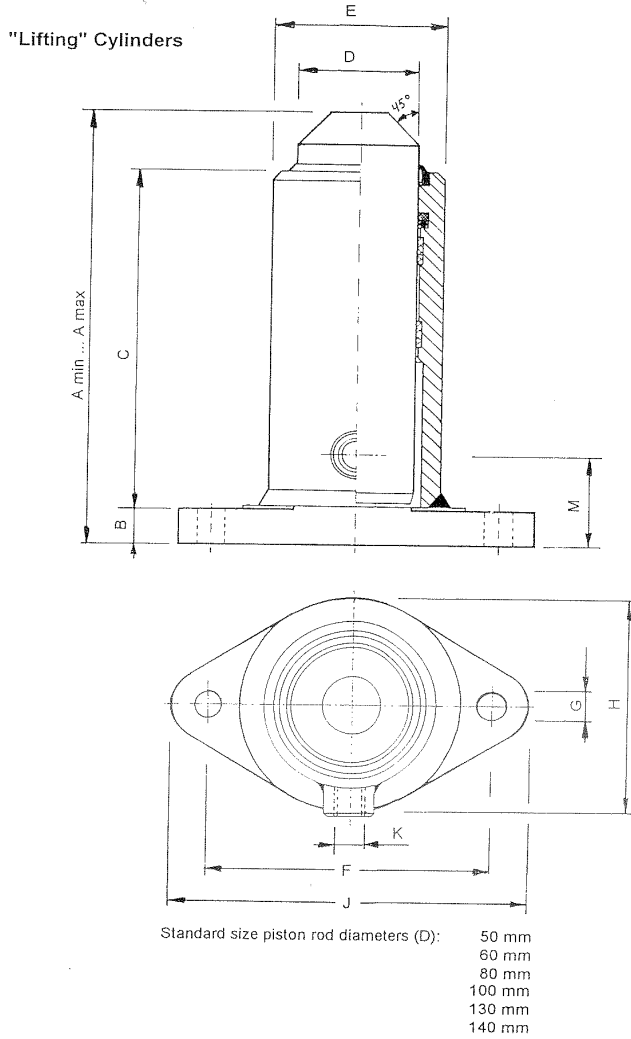


HATCH COVER EXPERTISE SINCE 1993

DEUMARECO

www.deumareco.com

SMALL HYDRAULIC CYLINDERS



Deumareco Marine Systems GmbH
 Nincoper Strasse 184
 D-21129 Hamburg-Neuenfelde
 Germany

Phone: +49-40-367 160
 Fax: +49-40-367 578
 E-mail: deumareco@t-online.de
 Web: www.deumareco.com

St.-Nr.: 47/714/00715
 VAT-No.: DE 811 476 598
 Commercial Reg.: Hamburg HRB 52818
 Managing Director: Jussi Pekka Järvinen



HATCH COVER EXPERTISE SINCE 1993

DEUMARECO

www.deumareco.com

DRAIN VALVES

Drain Valve - Type "A"

- P/N: DV/MG.01.01 DRAIN VALVE
- Material: Brass



Drain Valve - Type "B"

- R 1 ¼"
- P/N: 11018 DRAIN VALVE
- Material: Plastic



Drain Valve - Type "C"

- P/N: 12030 DRAIN VALVE
- Material: Plastic



Drain Valve - Type "D"

- R 1 ¼"
- Type "Kvaerner / TTS"
- Material: Plastic



Drain Valve - Type "R"

- R 1 ¼" + Adapter 1 ½"
- Type "Kvaerner / TTS"
- Material: Brass, Steel





HATCH COVER EXPERTISE SINCE 1993

DEUMARECO

www.deumareco.com

PROBLEMS WITH VACU / PNEUMATIC SEALS?

OMEGA, VACU and EVA Types

In order to solve the problems with above mentioned seals our engineers have developed new replacement seals for all types of Vacu- / Pneumatic cross joint seals.

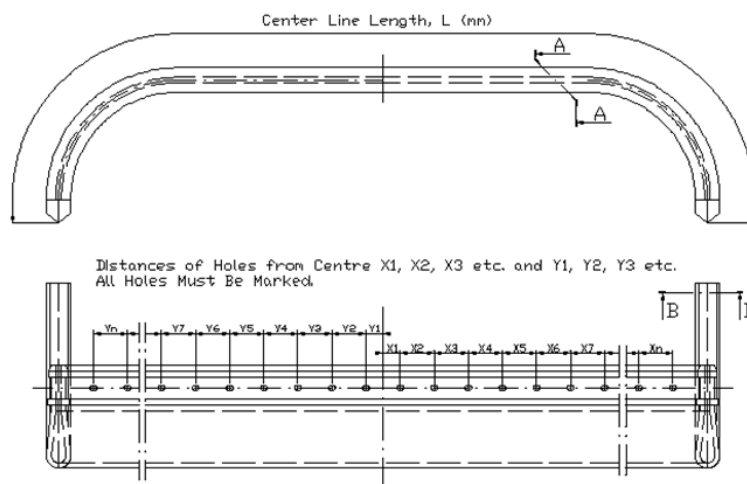


Damaged EVA- Seal Replaced by Deumareco Sliding Seal.

Advantages

Sliding type - No vacuum/pneumatic function needed. Can be fitted to existing steel channels – no steel work necessary. Easy to repair, in case of damages only. damaged area needed to be replaced. Repairs can be carried out by ships crew. All types approved by Germanischer Lloyd. More than 100 vessels have been equipped with new seals.

Deumareco Low Friction Sliding Seal Replacing Omega Seal



Omega Seal Modification with DEUMARECO Low Friction Sliding Seal

Please Return Following Measurements:
- Center Line Length, L (mm)
- Distances of Holes from Centre X1, X2, X3 etc. and Y1, Y2, Y3 etc.
All Holes Must Be Marked.

Deumareco Marine Systems GmbH
Nincoper Strasse 184
D-21129 Hamburg-Neuenfelde
Germany

Phone: +49-40-367 160
Fax: +49-40-367 578
E-mail: deumareco@t-online.de
Web: www.deumareco.com

St.-Nr.: 47/714/00715
VAT-No.: DE 811 476 598
Commercial Reg.: Hamburg HRB 52818
Managing Director: Jussi Pekka Järvinen



HATCH COVER EXPERTISE SINCE 1993

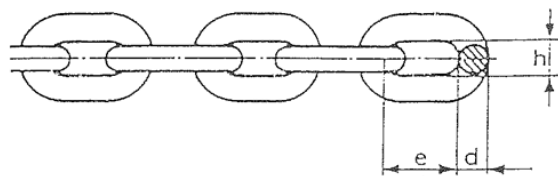
DEUMARECO

www.deumareco.com

CHAINS

Hatch Cover Driving / Towing Chains, Connectors and Chain Wheels

- Different standard sizes / grades available
- Coating: Galvanized or Black with Tectyl

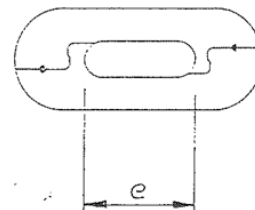
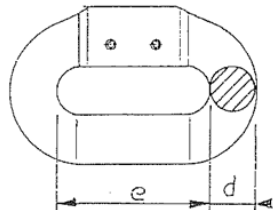
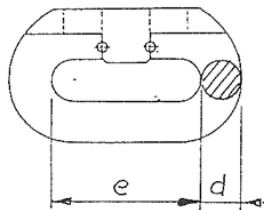


d x e	h	kg/m
14x50	17	3,9
16x42	20	5,9
18x64	21	6,5
19x57	23	8,3
19x64,5	22	7,5
20x80	23	7,7
22x86	26	9,4
24x87,5	28	11,5

Connecting Link
Type: A

Connecting Link
Type: B

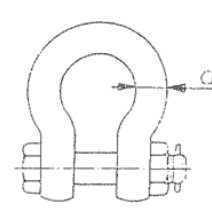
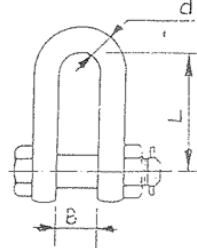
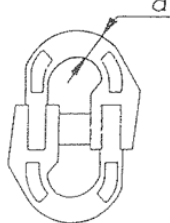
Connecting Link
Type: C



Connector

Shackle, Dee

Shackles, Bow



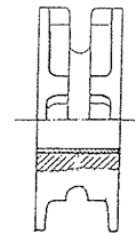
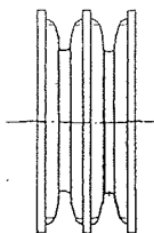
Tons ?

Tons ?

Gypsy Wheel, Double

Gypsy Wheel, Single

Turning Wheel



Quantity of
Pockets ?

Quantity of
Pockets?

Deumareco Marine Systems GmbH
Nincoper Strasse 184
D-21129 Hamburg-Neuenfelde
Germany

Phone: +49-40-367 160
Fax: +49-40-367 578
E-mail: deumareco@t-online.de
Web: www.deumareco.com

St.-Nr.: 47/714/00715
VAT-No.: DE 811 476 598
Commercial Reg.: Hamburg HRB 52818
Managing Director: Jussi Pekka Järvinen



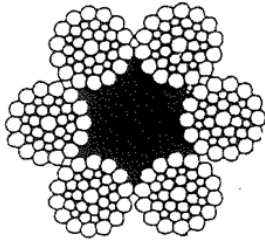
HATCH COVER EXPERTISE SINCE 1993

DEUMARECO

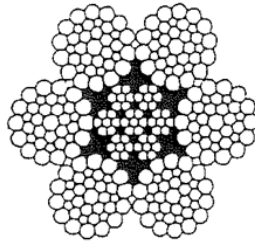
www.deumareco.com

WIRE ROPES & ACCESSORIES

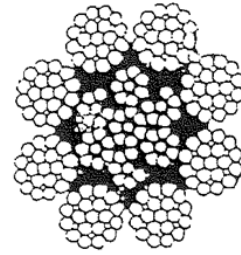
216-Wire Ropes
(Fibre Core)



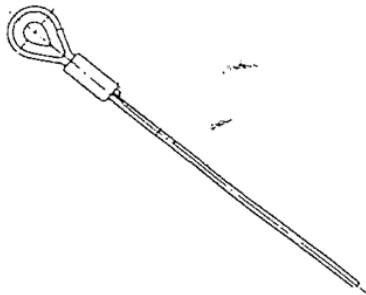
265-Wire Ropes
(Steel Core)



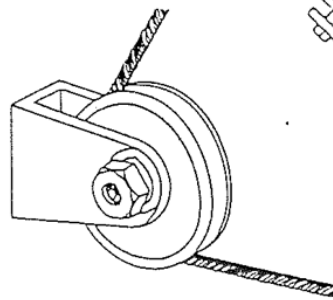
Multi-Strand-Wire Ropes



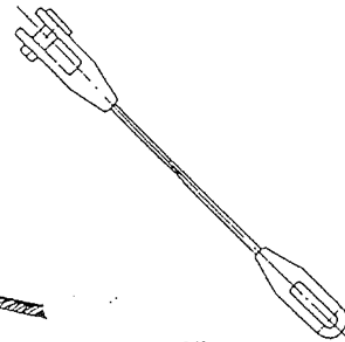
Rope with Thimble



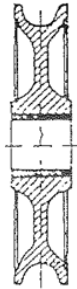
Sheave Assembly



Rope with Sockets



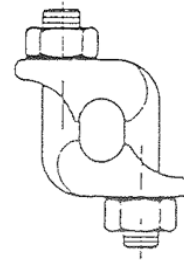
Wire Sheaves



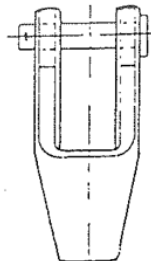
Thimbles



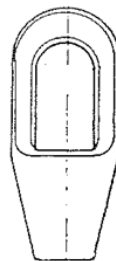
Clips



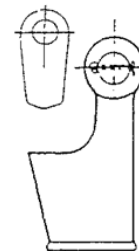
Sockets Closed



Sockets Open



Sockets Open Wedge





HATCH COVER EXPERTISE SINCE 1993

DEUMARECO

www.deumareco.com

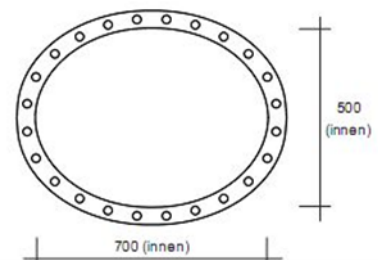
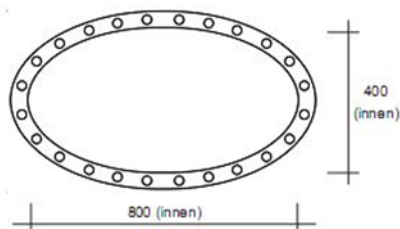
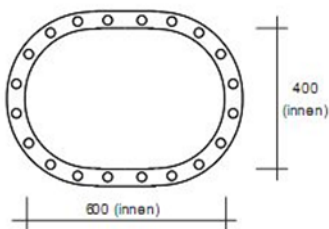
MISCELLANEOUS ACCESSORIES

Bolts, Handles and Nuts

For Small Hatches, Manholes and Doors



Manhole Seals





HATCH COVER EXPERTISE SINCE 1993

DEUMARECO

www.deumareco.com

GLUE FOR RUBBER

Rubber to Steel

- Rubber Cement
- 5 ltr/can or 750 ml/tin



Rubber to Rubber

- Rubber Cement – Rapid glue
- For connecting rubber corners and end pieces
- 20g bottle



Fire Secure Mastic Adhesive for Marine Use

- To join materials together, fill holes and seal
- Water soluble
- 310 ml/tube

Liquid Rubber Compound

- 290 ml/tube
- For gluing and filling gaps





HATCH COVER EXPERTISE SINCE 1993

DEUMARECO

www.deumareco.com

FT



Tetrakem
Fire Secure Mastic Adhesive 1027

TETRAKEM®



Fire Secure Mastic Adhesive

A waterdispersion-based, solvent-free mastic adhesive.

Properties:

- Appearance: off-white, paste like.
- Mild odour.
- Specific gravity about 1,4.
- Application temperature has to be over +5°C. It will take longer to dry, if the temperature is below +10°C.
- Skinning time: 1–2 hours.
- Drying time: a couple of days, depends on the conditions.
- Adhesive must be protected from freezing, but it is freeze resistant after dried.
- Elastic after dried.
- Paintable after dried.
- Water-soluble, fresh stains can be removed with water.

Storage stability:

6 months, in an unopened original packing at temperature between +5°C and +30°C.

Transport: Must be protected from freezing.

Application: To join materials together, fill holes, seal etc.

Surfaces:

Fibreglass fabrics, polystyrene foam, mineral wool, glass wool, mineral board, decoration sheets, panels, metal and galvanised metal. Surfaces have to be clean and dry. In order to obtain a good dry, one of the surfaces has to be porous.

Tools: A hand gun or an air gun.

Instructions: Finishing and smoothing can be done by wet finger or other wet tools.

Packages: 310 ml plastic cartridge



Restricted use:

Where the product is required to have a surface with low flame spread characteristics (according to IMO FTPC Part 5) and the product is required not to be capable of producing excessive quantities of smoke and / or toxic products or not to give rise to toxic hazards at elevated temperatures (IMO FTPC Part 2), the material shall be used as a strip. The stripe shall not be more than 30 mm wide and 3 mm thick and on both sides of it there has to be at least 50 mm wide area non-combustible material.

FINNTEX • TETRAKEM

Deumareco Marine Systems GmbH
Nincoper Strasse 184
D-21129 Hamburg-Neuenfelde
Germany

Phone: +49-40-367 160
Fax: +49-40-367 578
E-mail: deumareco@t-online.de
Web: www.deumareco.com

St.-Nr.: 47/714/00715
VAT-No.: DE 811 476 598
Commercial Reg.: Hamburg HRB 52818
Managing Director: Jussi Pekka Järvinen



DEUMARECO

DEUMARECO MARINE SYSTEMS GMBH
NINCOPER STRASSE 184
D-21129 HAMBURG, GERMANY

PHONE: +49 40 367 160

FAX: +49 40 367 578

E-MAIL: DEUMARECO@T-ONLINE.DE

WEB: WWW.DEUMARECO.COM